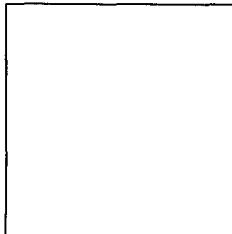


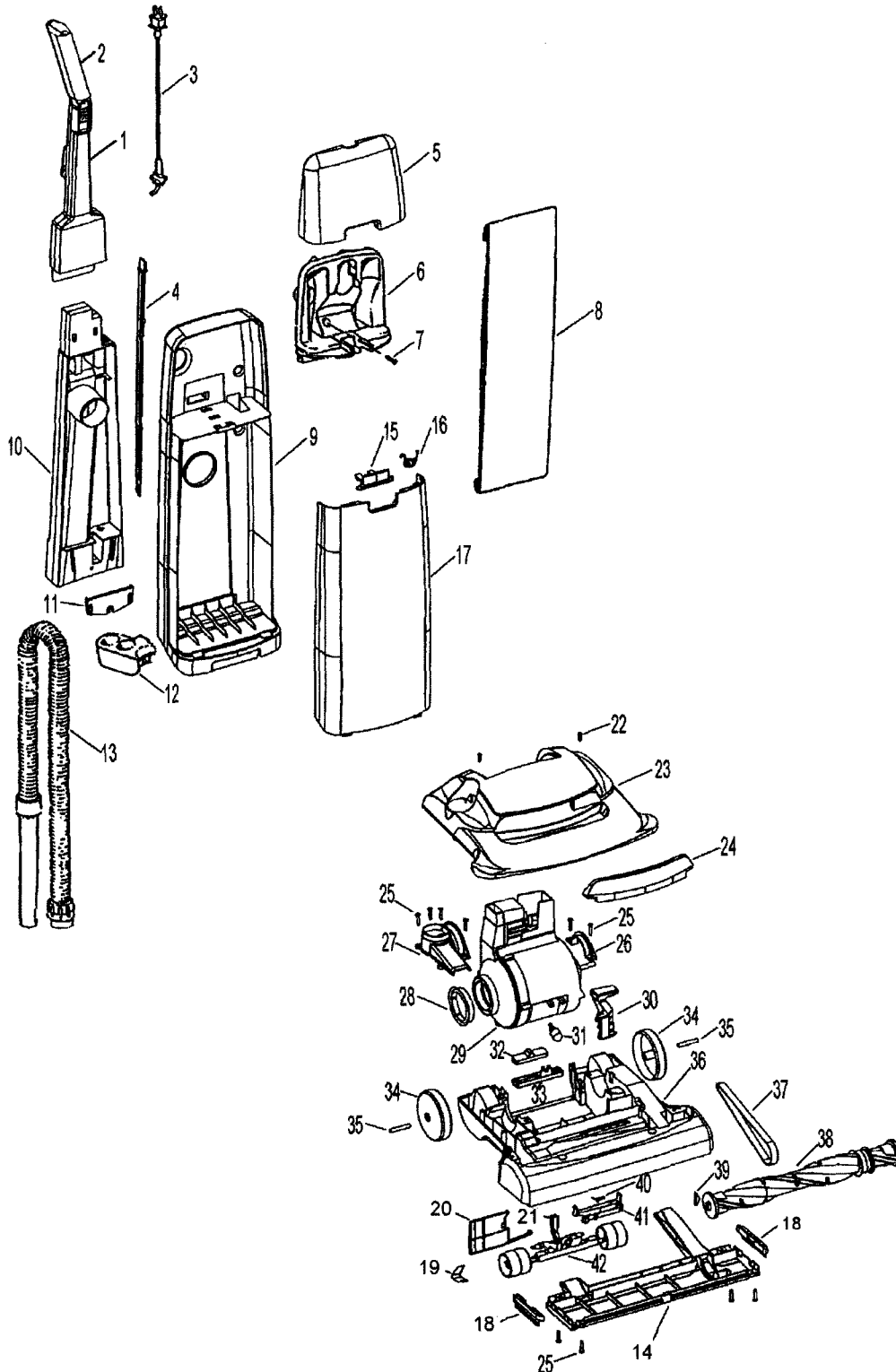


# SOFT GUARD™



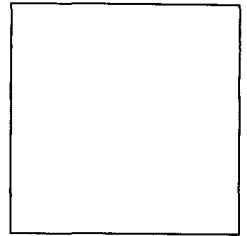
## ASSEMBLY SCHEMATIC

MODEL NO.  
C1700-900





# SOFT GUARD™



## PART LISTING / PRICE LIST

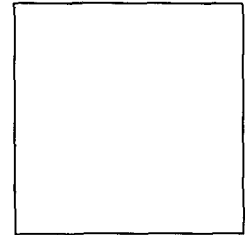
MODEL No.

C1700-900

| ITEM | PART NUMBER | MODELS TO FIT | PART DESCRIPTION  |
|------|-------------|---------------|---|
| 1    | 48663209    | C1700-900     | UPPER HANDLE  |
| 2    | 37911078    | C1700-900     | HANDLE CAP  |
| 3    | 46368005    | C1700-900     | POWER CORD - 35'  |
| 4    | 38458046    | C1700-900     | SWITCH ROD - LOWER  |
| 5    |             | C1700-900     | COVER   |
| 6    | 36433125    | C1700-900     | TOOL HOLDER   |
| 7    | 21447232    | C1700-900     | SCREW - SELF TAPPING  |
| 8    | 43667053    | C1700-900     | REUSABLE BAG ASSEMBLY                                       |
|      | 4010100Z    | C1700-900     | TYPE Z ALLERGEN PAPER BAG - 3 PACK                          |
| 9    | 37255021    | C1700-900     | BACK PANEL / BAG HOUSING                                    |
| 10   | 39464025    | C1700-900     | LOWER HANDLE  |
| 11   | 36425081    | C1700-900     | BAG HOUSING BRACKET   |
| 12   | 36433113    | C1700-900     | LOWER HOSE SUPPORT  |
| 13   | 43434101    | C1700-900     | HOSE ASSEMBLY   |
| 14   | 37245035    | C1700-900     | BOTTOM PLATE / NOZZLE GUARD                                 |
| 15   | 36151013    | C1700-900     | LATCH   |
| 16   | 38355008    | C1700-900     | SPRING  |
| 17   | 37254137    | C1700-900     | BAG HOUSING DOOR  |
| 18   | 395110096   | C1700-900     | LITTLER PICKER  |
| 19   | 34572002    | C1700-900     | CAM ACTUATOR SPRING   |
| 20   | 38718005    | C1700-900     | VALVE GATE  |
| 21   | 43248059    | C1700-900     | LEVER   |
| 22   | 21447218    | C1700-900     | SCREW - SELF TAPPING  |
| 23   | 42252A62    | C1700-900     | HOOD / NOZZLE COVER - MODELS BEFORE 10/01 INCLUDED #24 LENS |
| 24   | 39383108    | C1700-900     | LENS  |
| 25   | 21447217    | C1700-900     | SCREW - SELF TAPPING  |
| 26   | 36131090    | C1700-900     | MOTOR RETAINER  |
| 27   | 38656033    | C1700-900     | DUCT COVER  |
| 28   | 38784016    | C1700-900     | SEAL  |
| 29   | 43576201    | C1700-900     | MOTOR ASSEMBLY  |
| 30   | 38458053    | C1700-900     | HANDLE RELEASE LEVER  |
| 31   | 27313101    | C1700-900     | LAMP - MODELS BEFORE 10/01                                  |
| 32   | 38567014    | C1700-900     | INDICATOR KNOB  |
| 33   | 38567027    | C1700-900     | CAM ACTUATOR  |
| 34   | 38522011    | C1700-900     | REAR WHEEL  |



# SOFT GUARD™



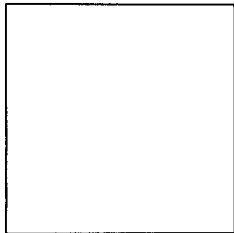
## PART LISTING / PRICE LIST

MODEL No.  
**C1700-900**

| ITEM | PART NUMBER | MODELS TO FIT | PART DESCRIPTION                      |  |
|------|-------------|---------------|---------------------------------------|--|
| 35   | 31531008    | C1700-900     | WHEEL SHAFT                           |  |
| 36   | 37241166    | C1700-900     | NOZZLE BASE - 15" INCLUDE REAR WHEELS |  |
| 37   | 38528040    | C1700-900     | BELT                                  |  |
| 38   | 48414061    | C1700-900     | AGITATOR / BRUSH ROLL ASSEMBLY        |  |
| 39   | 013261AY    | C1700-900     | RIB SHOE                              |  |
| 40   | 38351012    | C1700-900     | SPRING                                |  |
| 41   | 38563013    | C1700-900     | NOZZLE HEIGHT ADJUSTMENT CAM          |  |
| 42   | 43248058    | C1700-900     | FRONT WHEEL ASSEMBLY                  |  |
|      |             |               |                                       |  |
|      | 40201085    | C1700-900     | NUT AND BOLT ASSEMBLY                 |  |
|      | 43414146    | C1700-900     | DUSTING BRUSH ASSEMBLY                |  |
|      | 38614036    | C1700-900     | FURNITURE NOZZLE                      |  |
|      | 38617026    | C1700-900     | CREVICE TOOL                          |  |
|      | 38634078    | C1700-900     | EXTENSION TUBE                        |  |
|      | 58366099    | C1700-900     | BAG SUPPORT                           |  |
|      | 58369067    | C1700-900     | CLEANER SUPPORT                       |  |
|      | 38638064    | C1700-900     | HOSE CONNECTOR                        |  |
|      | 32286025    | C1700-900     | HOSE ADAPTOR - LONG                   |  |
|      | 36116013    | C1700-900     | HOSE CONNECTOR COLLAR                 |  |

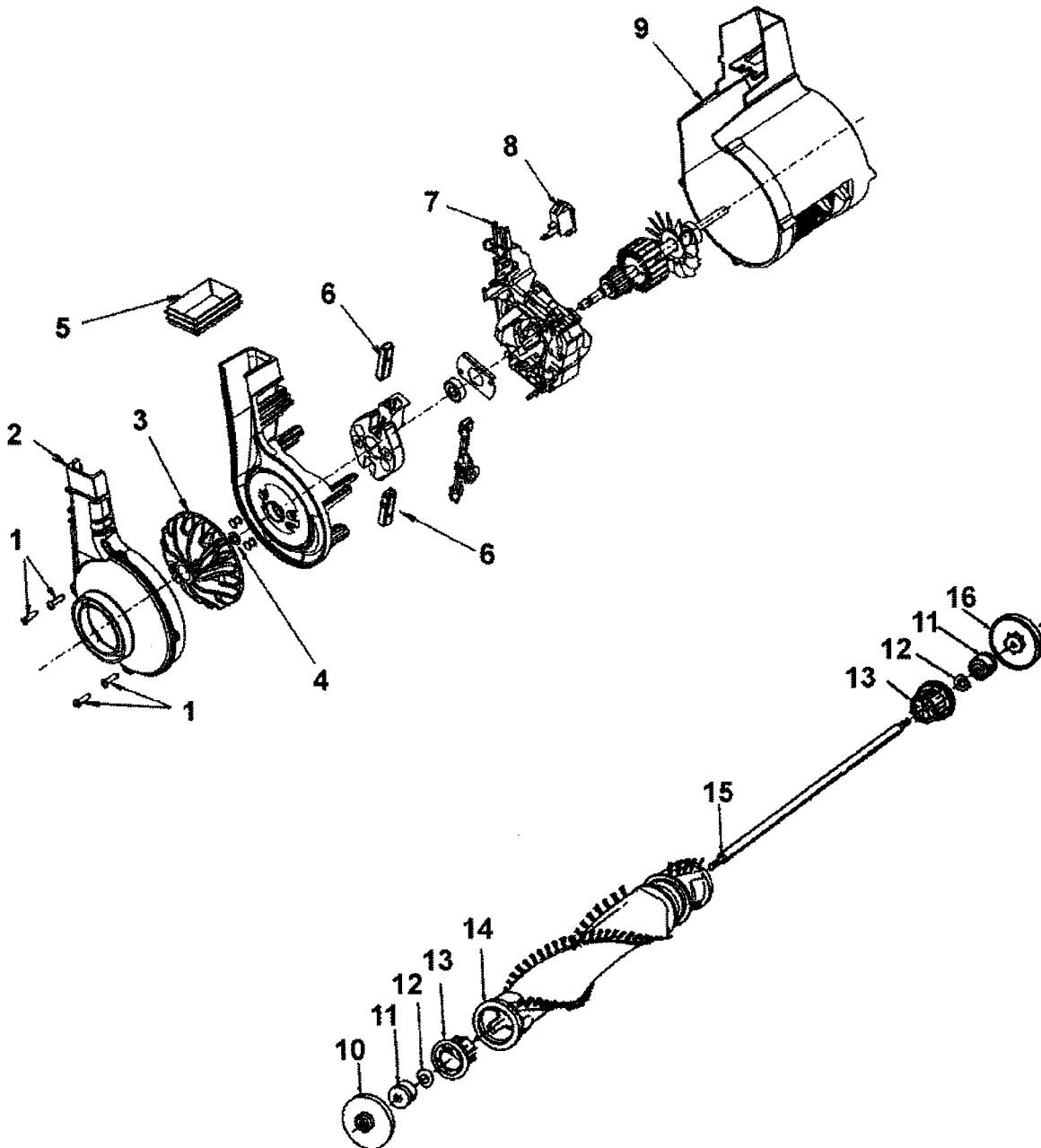


# SOFT GUARD™



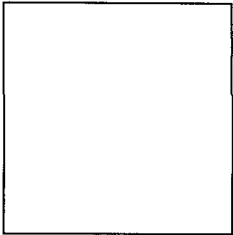
## ASSEMBLY SCHEMATIC

MODEL NO.  
C1700-900





# SOFT GUARD™



## PART LISTING / PRICE LIST

MODEL No.  
C1700-900

| ITEM | PART NUMBER | MODELS TO FIT | PART DESCRIPTION                  |
|------|-------------|---------------|-----------------------------------|
| 1    | 214793DA    | C1700-900     | SCREW - SELF TAPPING 5/8"         |
| 2    | 38736033    | C1700-900     | FAN CHAMBER                       |
| 3    | 43565006    | C1700-900     | FAN / NUT ASSEMBLY                |
| 4    | 21312793    | C1700-900     | WASHER                            |
| 5    | 38783020    | C1700-900     | DUCT SEAL - MOLDED                |
| 6    | 41311022    | C1700-900     | MOTOR BRUSH                       |
| 7    | 36914006    | C1700-900     | SWITCH BAR                        |
| 8    | 28161068    | C1700-900     | ROCKER SWITCH                     |
| 9    | 37194049    | C1700-900     | MOTOR END CAP                     |
| 10   | 36423016    | C1700-900     | THREAD GUARD - RIGHT              |
| 11   | 43267002    | C1700-900     | AGITATOR BEARING ASSEMBLY         |
| 12   | 21347003    | C1700-900     | CONICAL WASHER                    |
| 13   | 36422022    | C1700-900     | AGITATOR END                      |
| 14   |             | C1700-900     | AGITATOR BODY                     |
| 15   |             | C1700-900     | AGITATOR ROD                      |
| 16   | 36423017    | C1700-900     | THREAD GUARD - LEFT               |
|      |             |               |                                   |
|      | 43576201    | C1700-900     | MOTOR ASSEMBLY WITH OUT HEADLIGHT |
|      | 48414061    | C1700-900     | AGITATOR COMPLETE                 |