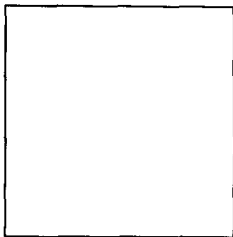




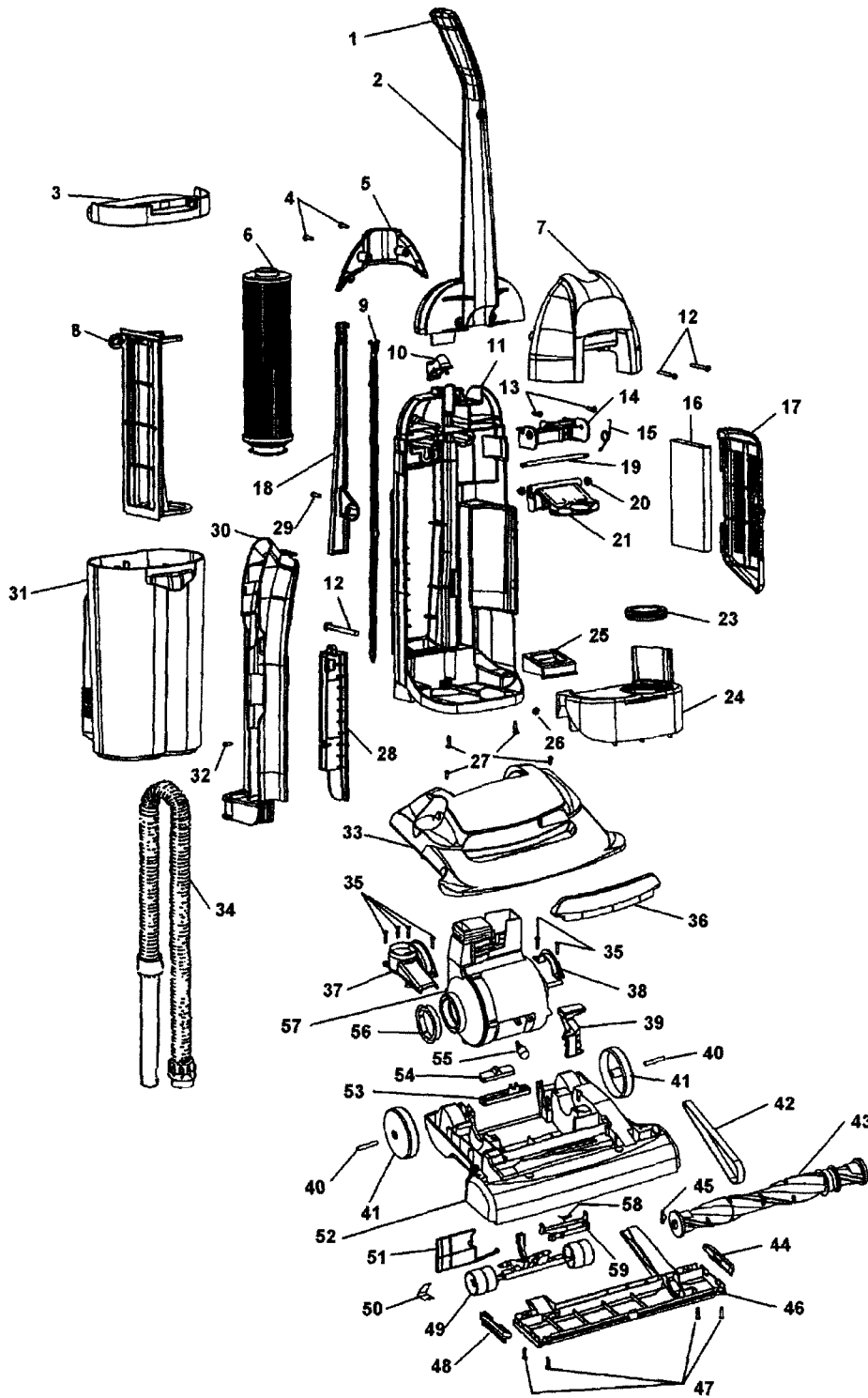
COMMERCIAL

Twin Chamber



ASSEMBLY SCHEMATIC

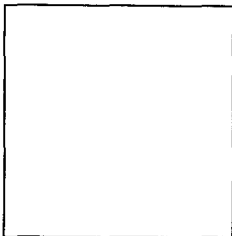
MODEL NO.
C1710-900





COMMERCIAL

Twin Chamber



PART LISTING

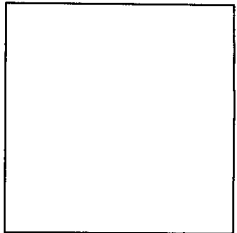
MODEL No.
C1710-900

ITEM	PART NUMBER	MODELS TO FIT	PART DESCRIPTION
1	37911078	C1710-900	HANDLE CAP
2	39466041	C1710-900	UPPER HANDLE WITH CADDY
3	42249005	C1710-900	DIRT CUP LID
4	21447072	C1710-900	SCREW
5	37258132	C1710-900	HANDLE COVER - REAR
6	40140201	C1710-900	CARTRIDGE FILTER - DIRT CUP
7	37258160	C1710-900	HANDLE COVER - FRONT
8	36426043	C1710-900	PRE-FILTER - DIRT CUP
9	38458057	C1710-900	SWITCH ROD
10	38433036	C1710-900	ROCKER SWITCH
11	37259002	C1710-900	BACK PANEL / DIRT CUP HOUSING
12	40201189	C1710-900	HANDLE HARDWARE ASSEMBLY
13	21447072	C1710-900	SCREW
14	36153065	C1710-900	LATCH SUPPORT
15	38355013	C1710-900	SPRING
16	40110004	C1710-900	FINAL FILTER / EXHAUST - 12 PACK
17	37257261	C1710-900	FILTER GRILL
18	37258052	C1710-900	REAR COVER
19	32541004	C1710-900	LATCH SHAFT
20	36131056	C1710-900	WHEEL RETAINER
21	36153064	C1710-900	DIRT CUP LATCH
22		C1710-900	PART NOT AVAILABLE
23	38784079	C1710-900	EXHAUST SEAL
24	37249016	C1710-900	FRONT COVER
25	38783026	C1710-900	INTAKE SEAL
26	21641557	C1710-900	NUT
27	21447218	C1710-900	SCREW - SELF TAPPING
28	36923011	C1710-900	TOOL RACK GUIDE
29	21447242	C1710-900	SCREW - SELF TAPPING
30	36433145	C1710-900	TOOL RACK
31	38775072	C1710-900	DIRT CUP
32	40201189	C1710-900	HANDLE HARDWARE ASSEMBLY
33	42252B36	C1710-900	HOOD / NOZZLE COVER
34	43434101	C1710-900	HOSE ASSEMBLY
35	21447217	C1710-900	SCREW - SELF TAPPING
36	39383112	C1710-900	LENS



COMMERCIAL

Twin Chamber



PART LISTING

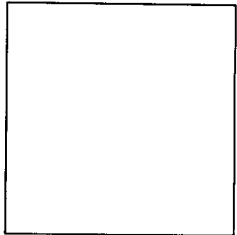
MODEL No.
C1710-900

ITEM	PART NUMBER	MODELS TO FIT	PART DESCRIPTION
37	38656033	C1710-900	DUCT COVER
38	36131090	C1710-900	MOTOR RETAINER
39	38458053	C1710-900	HANDLE RELEASE LEVER
40	31531008	C1710-900	WHEEL SHAFT
41	38522011	C1710-900	REAR WHEEL
42	38528040	C1710-900	BELT
43	48414061	C1710-900	AGITATOR ASSEMBLY
44	39511004	C1710-900	LITTER PICKER
45	013261AY	C1710-900	RIB SHOE
46	37245035	C1710-900	BOTTOM PLATE / NOZZLE GUARD
47	21447217	C1710-900	SCREW - SELF TAPPING
48	39511004	C1710-900	LITTER PICKER
49	43248058	C1710-900	FRONT WHEEL ASSEMBLY
50	34572002	C1710-900	CAM ACTUATOR SPRING
51	38718005	C1710-900	VALVE GATE
52	37241166	C1710-900	MAIN BODY / NOZZLE BASE 15"
53	38567027	C1710-900	CAM ACTUATOR
54	38567014	C1710-900	INDICATOR KNOB
55		C1710-900	BULB
56	38784016	C1710-900	SEAL
57	43576201	C1710-900	MOTOR ASSEMBLY
58	38351012	C1710-900	SPRING
59	38563013	C1710-900	NOZZLE HEIGHT ADJUSTMENT
	39441016	C1710-900	CORD CLIP
	46388034	C1710-900	POWER CORD
	43414174	C1710-900	DUSTING BRUSH ASSEMBLY
	38614044	C1710-900	FURNITURE NOZZLE
	38617029	C1710-900	CREVICE TOOL
	38634078	C1710-900	EXTENSION TUBE

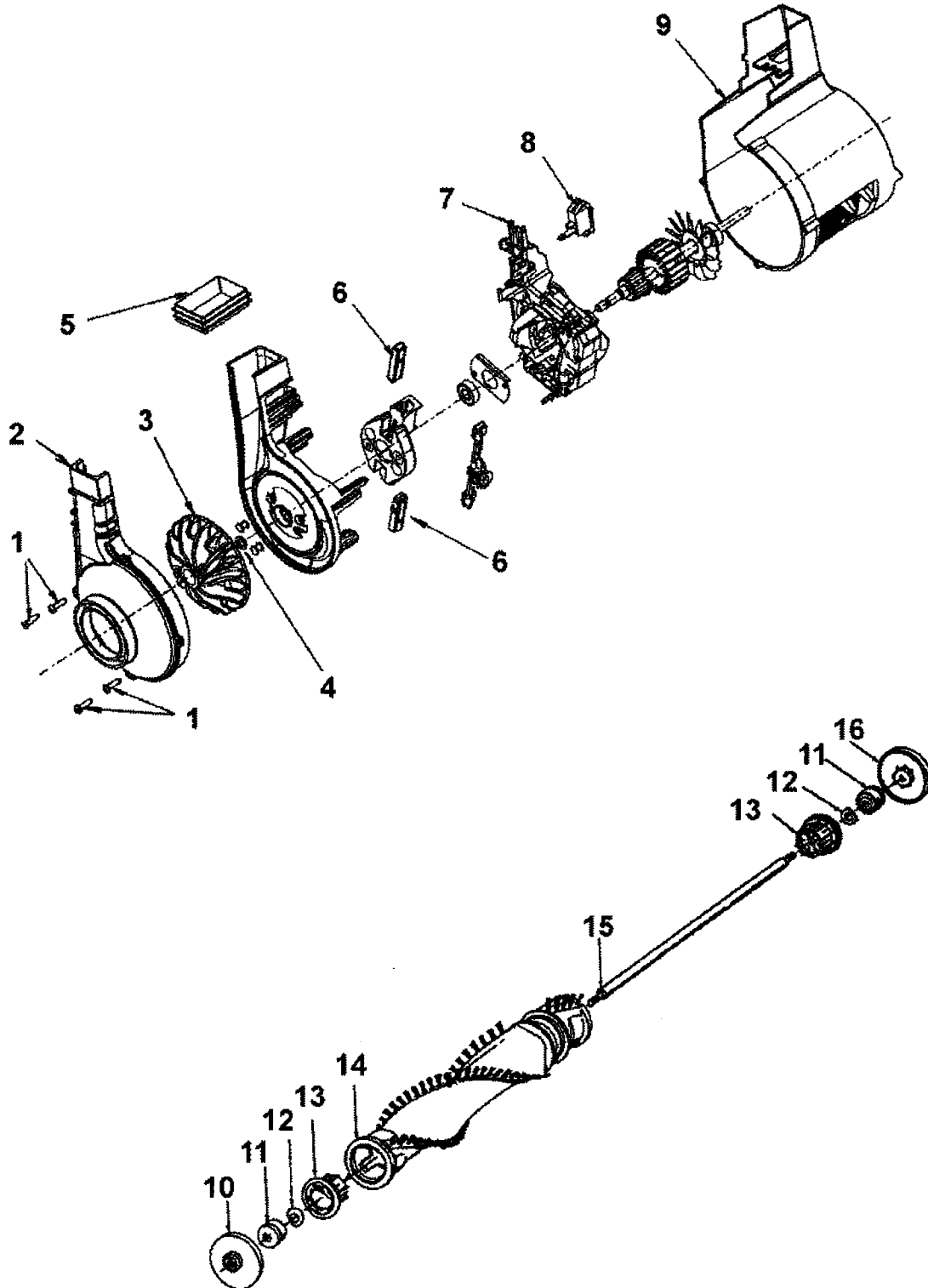


COMMERCIAL

Twin Chamber



ASSEMBLY SCHEMATIC



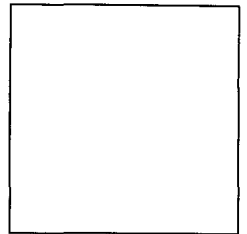
MODEL NO.

C1710-900



COMMERCIAL

Twin Chamber



PART LISTING

MODEL No.

C1710-900

ITEM	PART NUMBER	MODELS TO FIT	PART DESCRIPTION	
1	214793DA	C1710-900	SCREW - SELF TAPPING 5/8"	
2	38736033	C1710-900	FAN CHAMBER	
3	43565006	C1710-900	FAN AND NUT ASSEMBLY	
4	21312793	C1710-900	WASHER	
5	38783020	C1710-900	DUCT SEAL - MOLDED	
6	41311022	C1710-900	MOTOR BRUSH	
7	36914006	C1710-900	SWITCH BAR	
8	28161068	C1710-900	ROCKER SWITCH	
9	37194049	C1710-900	MOTOR END CAP WITH HEADLIGHT	
10	36423016	C1710-900	THREAD GUARD - RIGHT	
11	43267002	C1710-900	AGITATOR BEARING ASSEMBLY	
12	21347003	C1710-900	CONICAL WASHER	
13	36422022	C1710-900	AGITATOR END	
14		C1710-900	AGITATOR TUBE	
15		C1710-900	AGITATOR BAR	
16	36423017	C1710-900	THREAD GUARD - LEFT	
	43576201	C1710-900	MOTOR ASSEMBLY	