

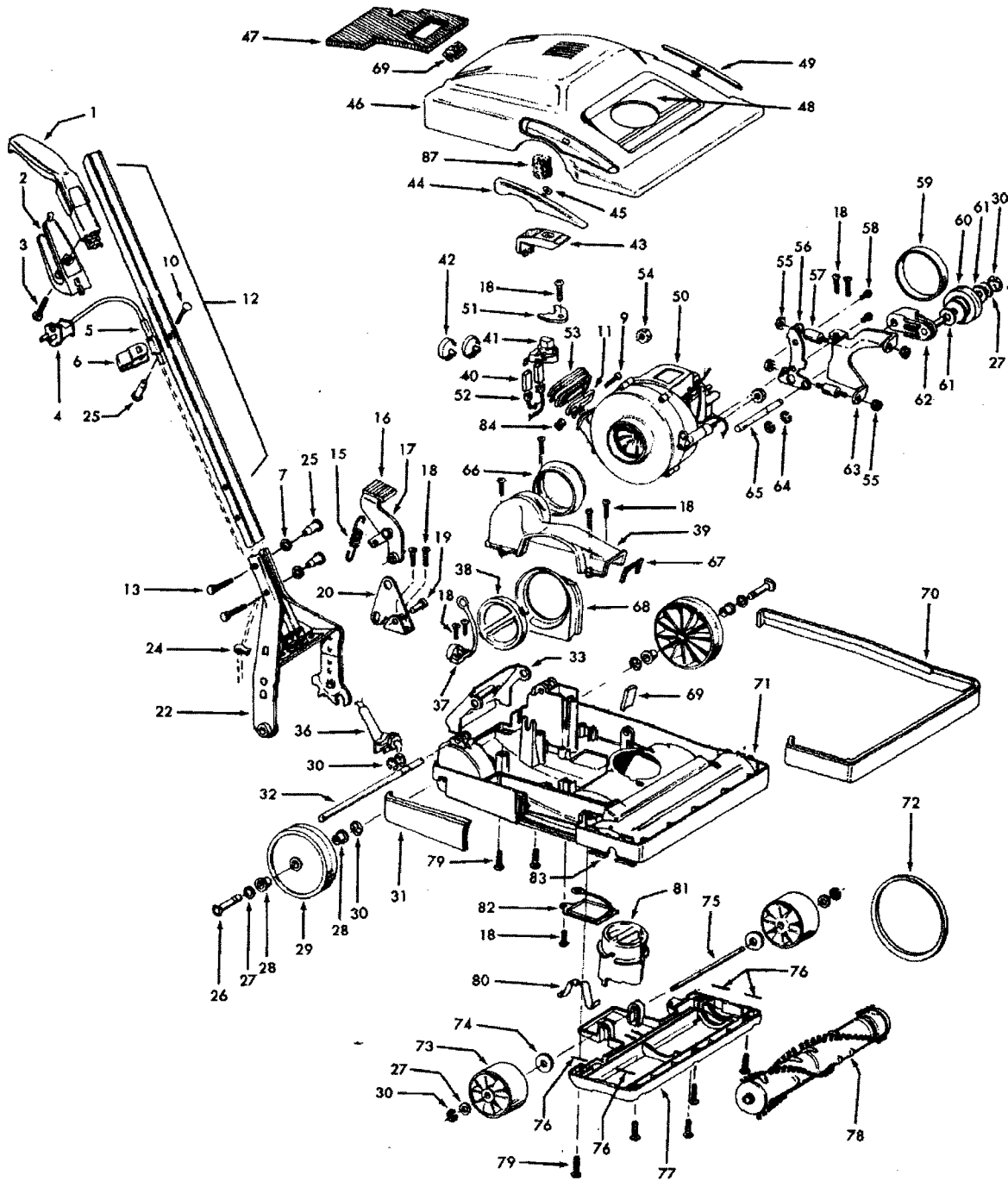


# Professional

## ASSEMBLY SCHEMATIC

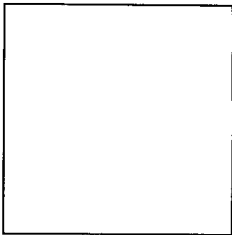
MODEL NO.

C1805





# Professional



## PART LISTING

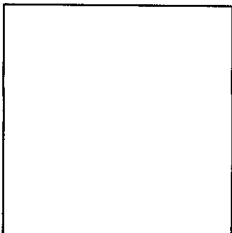
MODEL No.

**C1805**

ITEM	PART NUMBER	MODELS TO FIT	PART DESCRIPTION	
1	39454060	C1805	HANDLE GRIP ASSEMBLY	
2	39442017	C1805	CORD HOOK	
3	21447215	C1805	SCREW - SELF TAPPING	
4	46583128	C1805	POWER CORD	
	91001025	C1805	POWER CORD - SUBSTITUTION	
5	36215025	C1805	CORD PROTECTOR	
6	36172040	C1805	CORD RETAINER CLAMP	
7	013704--	C1805	LOCK WASHER	
9	21765140	C1805	SCREW	
10	21631301	C1805	HANDLE CLAMP BOLT	
11	34797008	C1805	CLAMP BAND	
12	48631149	C1805	HANDLE ASSEMBLY COMPLETE	
13	21831024	C1805	HANDLE BOLT	
15	38335008	C1805	SPRING	
16	38426030	C1805	FOOT PAD	
17	43151006	C1805	HANDLE LEVER	
18	21447003	C1805	SCREW	
19	32215002	C1805	SHAFT	
20	35214009	C1805	FOOT LEVER SUPPORT	
22	41416022	C1805	BAIL / HANDLE FORK	
24	36172015	C1805	CORD RETAINER	
25	32277008	C1805	HANDLE CLAMP NUT	
26	32512001	C1805	REAR WHEEL AXLE	
27	163110--	C1805	WASHER	
28	162143--	C1805	REAR WHEEL BEARING	
29	38522036	C1805	REAR WHEEL	
30	160017--	C1805	LOCK RING	
31	36231154	C1805	FURNITURE GUARD	
32	32563009	C1805	BAIL / HANDLE FORK SHAFT	
33	42256106	C1805	EXHAUST FLANGE ASSEMBLY	
36	36216008	C1805	CORD PROTECTOR	
37	27478611	C1805	STRAIN RELIEF	
38	37257282	C1805	CAP	
39	38657020	C1805	AIR DUCT	
40	162961--	C1805	INSULATING POD	
41	28212009	C1805	SWITCH	



# Professional



## PART LISTING

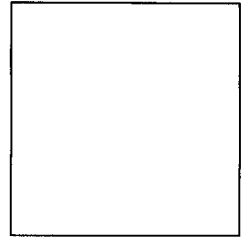
MODEL No.

**C1805**

ITEM	PART NUMBER	MODELS To FIT	PART DESCRIPTION
42	27479307	C1805	CABLE TIE
43	38426047	C1805	SWITCH PEDAL
44	36222017	C1805	WEAR STRIP - RIGHT
45	21364102	C1805	SPEED NUT
46	37252116	C1805	HOOD / NOZZLE COVER
	37252016	C1805	HOOD / NOZZLE COVER - SUBSTITUTION
47	38783005	C1805	INTAKE DUCT GASKET
48	51353002	C1805	HOOD NAME PLATE (C1820)
49	36222012	C1805	WEAR STRIP - LEFT
50	43574106	C1805	MOTOR - 6.5
51	36171030	C1805	SWITCH CLAMP
52	163055--	C1805	TERMINAL
53	38671008	C1805	EXHAUST FLANGE BELLOW
54	21652005	C1805	HEX NUT
55	21852158	C1805	NUT
56	36321002	C1805	MOUNTING BRACKET
57	32724010	C1805	SANDWICH MOUNT
58	017001FW	C1805	SCREW
59	38528036	C1805	BELT
60	43256002	C1805	PULLEY ASSEMBLY
61	31158008	C1805	BEARING
62	43256007	C1805	PULLEY ARM AND SHAFT
63	36321006	C1805	MOTOR SUPPORT BRACKET
64	013730--	C1805	LOCK RING
65	31534001	C1805	SHAFT PULLEY ARM SUPPORT
66	38671005	C1805	DUCT BOOT
67	34253013	C1805	AIR DUCT GASKET
68	41119008	C1805	CAP LOCK ASSEMBLY
69	34141005	C1805	MOTOR CUSHION
70	36231153	C1805	FURNITURE GUARD
71	37241116	C1805	MAIN BODY / NOZZLE BASE
72	38528013	C1805	V-BELT
73	38522034	C1805	FRONT WHEEL
74	21312754	C1805	WASHER
75	32543005	C1805	FRONT AXLE
76	34122019	C1805	BOTTOM PLATE DUCT SEAL



# Professional



## PART LISTING

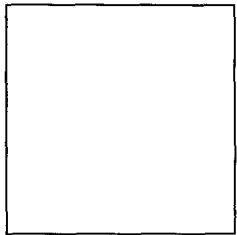
MODEL No.

**C1805**

ITEM	PART NUMBER	MODELS TO FIT	PART DESCRIPTION	
77	37245066	C1805	BOTTOM PLATE	
78	48416035	C1805	AGITATOR ASSEMBLY	
79	21447215	C1805	SCREW - SELF TAPPING	
80	38381005	C1805	SPRING	
81	36436005	C1805	HEIGHT ADJUSTMENT CAP	
82	35121001	C1805	ACCESS DOOR	
84	015854EF	C1805	NUT	



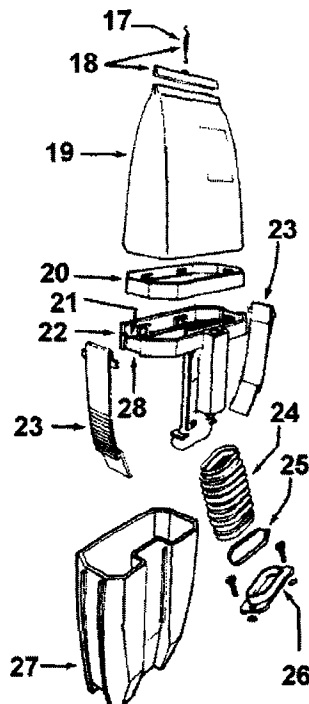
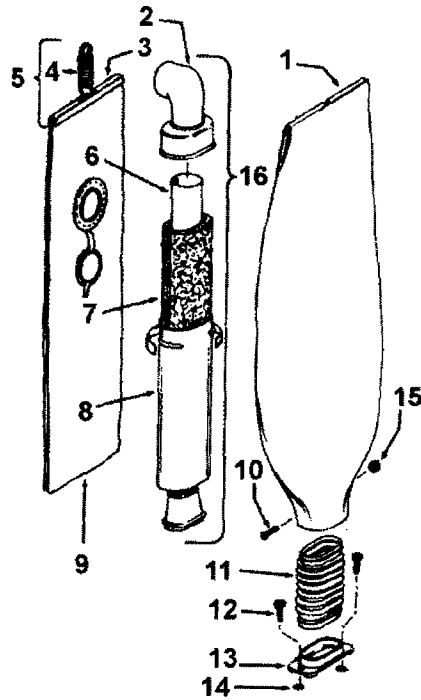
# Professional



## ASSEMBLY SCHEMATIC

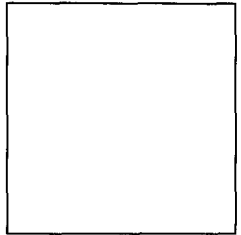
MODEL NO.

C1805





# Professional



## PART LISTING

MODEL No.

**C1805**

ITEM	PART NUMBER	MODELS TO FIT	PART DESCRIPTION
1	43678351	C1805	CLOTH BAG ASSEMBLY - COMPLETE
	43674225	C1805	CLOTH BAG ASSEMBLY
2	38657012	C1805	TOP FILL TUBE
3	36425033	C1805	BAG CLOSURE CLIP
4	38336019	C1805	CLIP SPRING
5	41128016	C1805	BAG CLIP AND SPRING ASSEMBLY
6	31746020	C1805	MUFFLER LINER
7	34133005	C1805	FOAM MUFFLER
8	37257083	C1805	MUFFLER HOUSING
9	43667054	C1805	INNER CLOTH BAG
	4010001A	C1805	TOP FILL PAPER BAG - 3 PACK
	4010100A	C1805	TOP FILL PAPER BAG / ALLERGEN - 3 PACK
10	017206--	C1805	SCREW
11	38673010	C1805	BELLOWS
12	36112002	C1805	SCREW
13	36425005	C1805	BAG FLANGE
14	013759--	C1805	LOCK RING
15	015854EF	C1805	NUT
16	42256012	C1805	MUFFLER ASSEMBLY
17	38336019	C1805	CLIP SUPPORT SPRING
18	41128016	C1805	BAG CLIP AND SPRING ASSEMBLY
19	43667057	C1805	CLOTH BAG
20	35173001	C1805	BAG EXPANDER
21	34122009	C1805	SEAL
22	41427012	C1805	DIRT CUP SUPPORT
23	36155011	C1805	LATCH
24	38673001	C1805	BELLOWS
25	049044--	C1805	CLAMP BAND
	015854EF	C1805	NUT
	017206--	C1805	SCREW
26	41424018	C1805	BAG FLANGE
27	38775001	C1805	DIRT CUP ASSEMBLY
28	34123020	C1805	GASKET

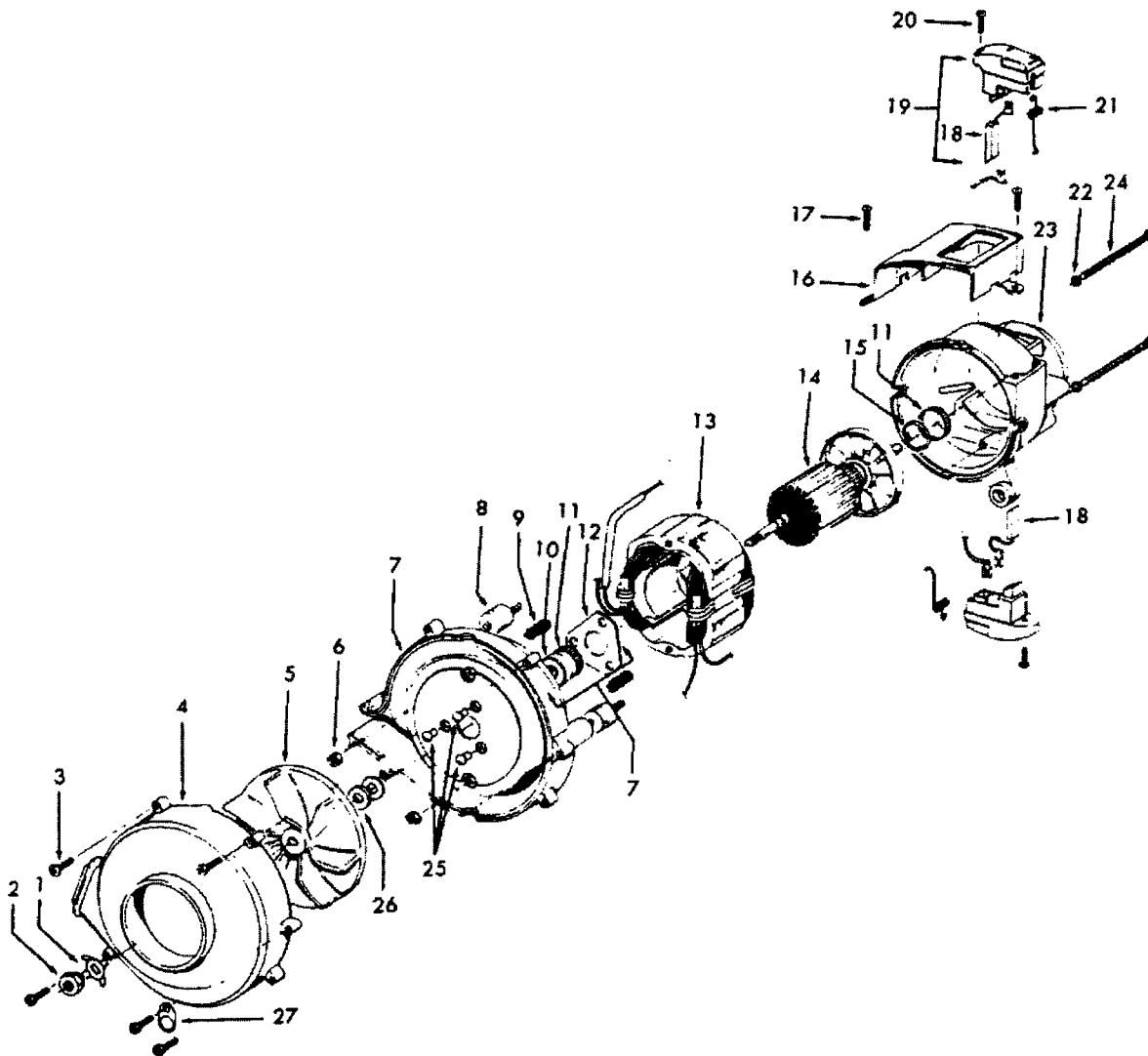


# Professional

## ASSEMBLY SCHEMATIC

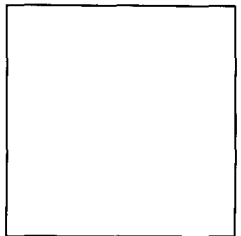
MODEL NO.

C1805





# Professional



## PART LISTING

MODEL No.

**C1805**

ITEM	PART NUMBER	MODELS To FIT	PART DESCRIPTION
1	36128003	C1805	LOCK WASHER
2	33426001	C1805	NUT
3	21447072	C1805	SCREW
4	38736025	C1805	FAN CHAMBER COVER
5	38755012	C1805	FAN
6	21641557	C1805	NUT
7	43588018	C1805	FAN CHAMBER ASSEMBLY
8	32724015	C1805	SANDWICH MOUNT
9	012854--	C1805	SPRING
10	24152807	C1805	MOTOR BEARING - 8MM
11	24198001	C1805	STAR RING
12	012025--	C1805	MOTOR BEARING RETAINER
13	90001007	C1805	FIELD COIL - 6.5
	45311056	C1805	FIELD COIL - 5.2
14	44765187	C1805	ARMATURE - 6.5
	44765184	C1805	ARMATURE - 5.2
15	21345115	C1805	WAVE SPRING WASHER
16	37257086	C1805	AIR INTAKE DUCT
17	21447041	C1805	SCREW
18	47315010	C1805	BRUSH AND TERMINAL ASSEMBLY
19	47318008	C1805	BRUSH CARRIER ASSEMBLY
20	21479302	C1805	SCREW
21	38353004	C1805	SPRING
22	21338006	C1805	LOCK WASHER
23	37191090	C1805	MOTOR HOUSING
24	21563061	C1805	SCREW
25	012503EF	C1805	RIVET - SEMI TUBULAR
26	166563--	C1805	WASHER
27	045517--	C1805	WIRE HOLDER



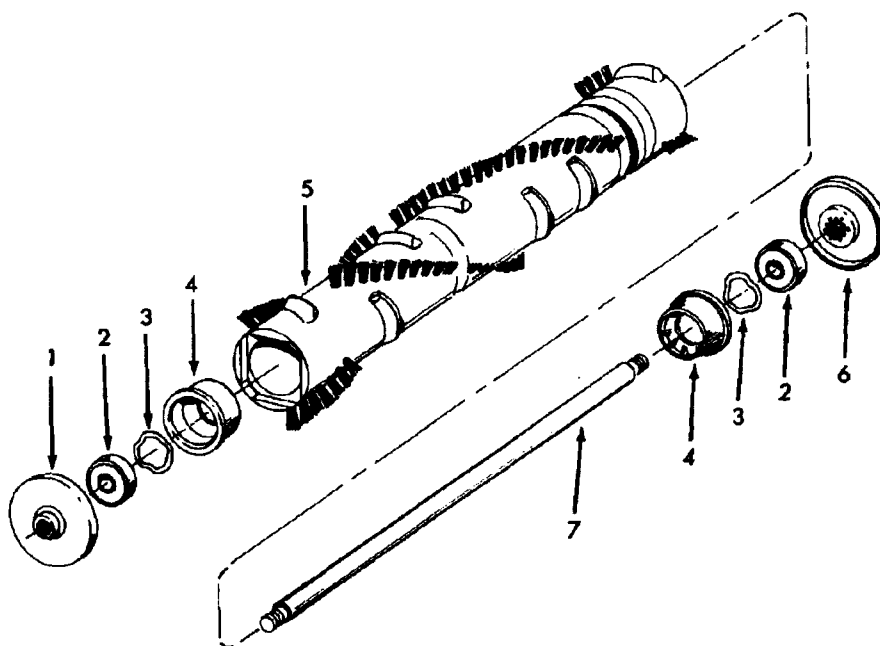
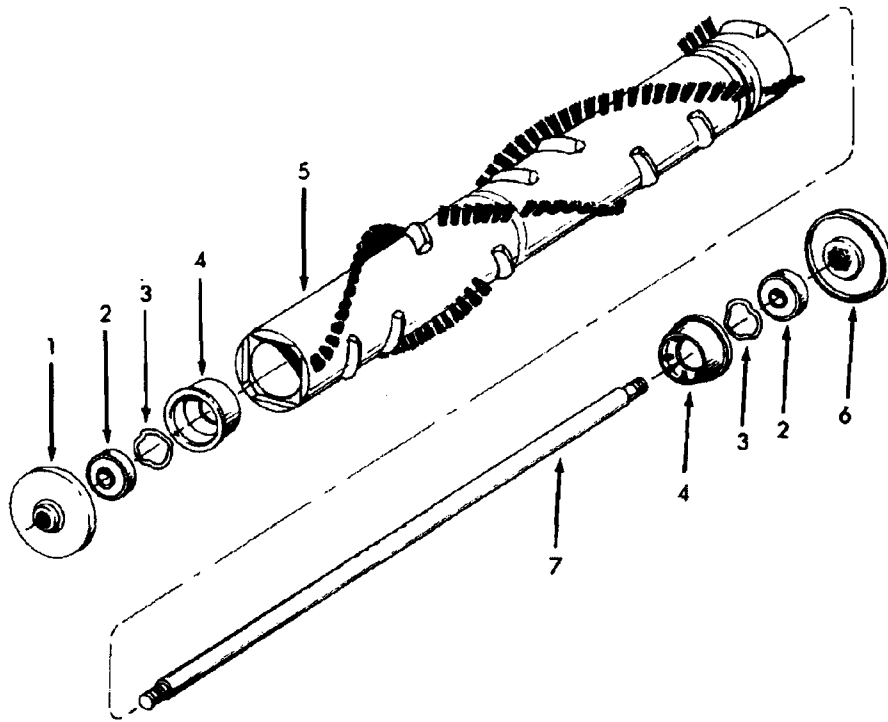
# Professional

2

## ASSEMBLY SCHEMATIC

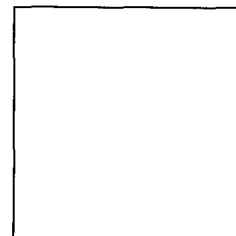
MODEL NO.

C1805





# Professional



## PART LISTING

MODEL NO.

**C1805**

ITEM	PART NUMBER	MODELS TO FIT	PART DESCRIPTION	
1	41435066	C1805	THREAD GUARD ASSEMBLY	
2	24152807	C1805	BEARING - MOTOR	
3	21345113	C1805	WAVE SPRING WASHER	
4	36422004	C1805	AGITATOR END	
5	48416013	C1805	AGITATOR BODY - 14"	
	48416017	C1805	AGITATOR BODY - 18"	
6	41435061	C1805	THREAD GUARD ASSEMBLY	
7	32873007	C1805	AGITATOR SHAFT - 14"	
	32873004	C1805	AGITATOR SHAFT - 18"	
	48416035	C1805	AGITATOR ASSEMBLY COMPLETE - 14"	
	48416036	C1805	AGITATOR ASSEMBLY COMPLETE - 18"	