

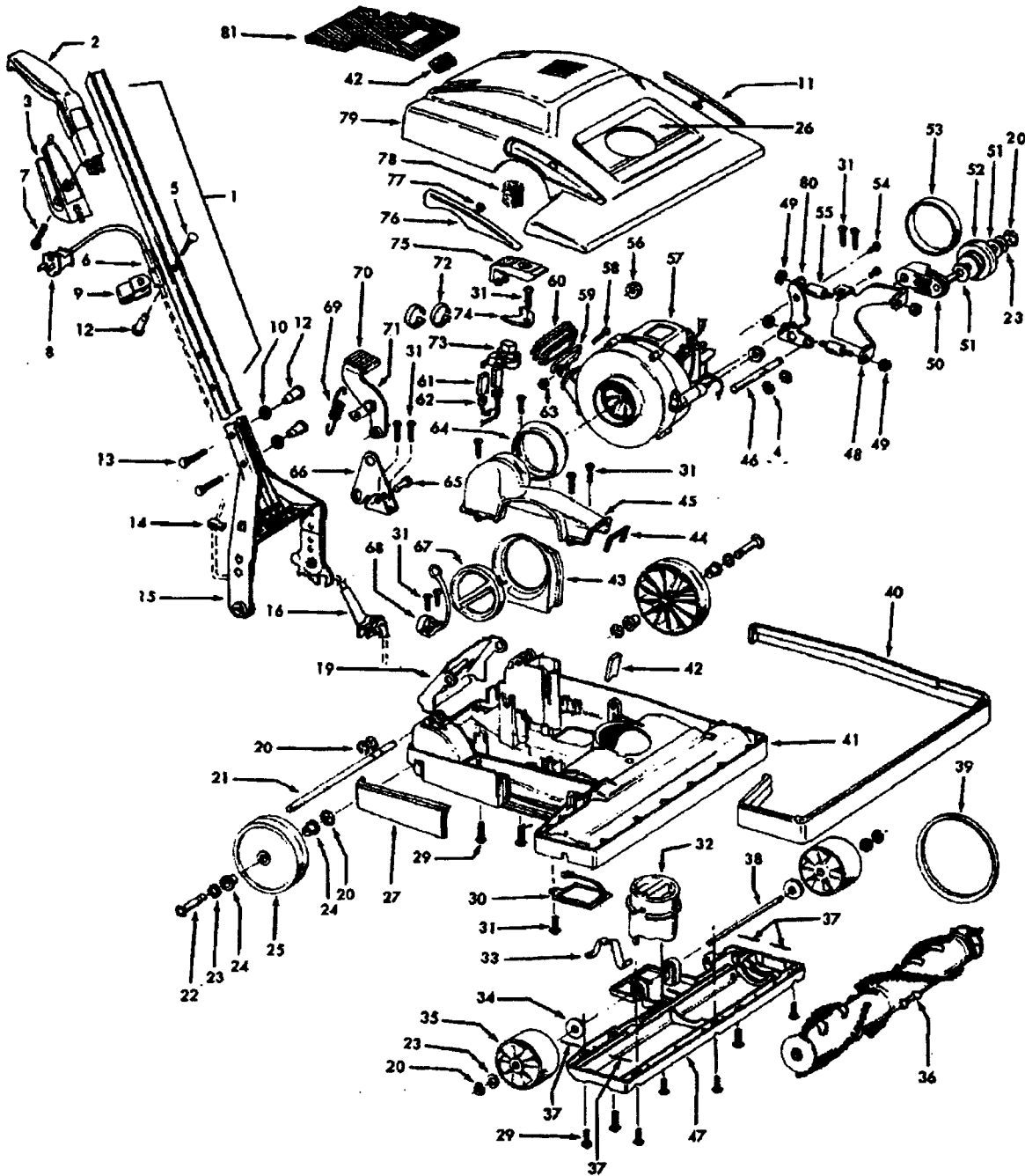


CONQUEST™

ASSEMBLY SCHEMATIC

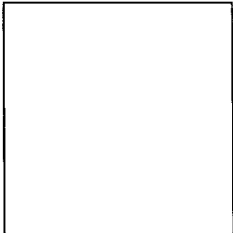
MODEL NO.

C1810





CONQUEST™



PART LISTING

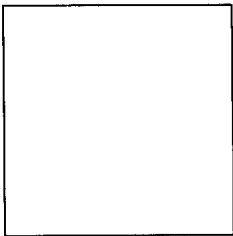
MODEL No.

C1810

ITEM	PART NUMBER	MODELS TO FIT	PART DESCRIPTION
1	39467069	C1810	HANDLE
	48631149	C1810	HANDLE ASSEMBLY COMPLETE
	36222014	C1810	WEAR STRIP - LEFT
2	39454060	C1810	HANDLE GRIP
3	39442017	C1810	CORD HOOK
4	013730--	C1810	LOCK RING
5	21631301	C1810	HANDLE CLAMP BOLT
6	36215025	C1810	CORD PROTECTOR
7	21447215	C1810	SCREW - SELF TAPPING
8	91001025	C1810	POWER CORD
9	36172040	C1810	CPRD RETAINER CLAMP
10	013704--	C1810	LOCK WASHER
11	36222012	C1810	WEAR STRIP - LEFT
12	32277008	C1810	HANDLE CLAMP NUT
13	21831024	C1810	HANDLE BOLT
14	36172015	C1810	CORD RETAINER
15	41416022	C1810	BAIL / HANDLE FORK ASSEMBLY
16	36216008	C1810	CORD PROTECTOR
19	42256106	C1810	EXHAUST FLANGE
20	160017--	C1810	LOCK RING
21	32563009	C1810	BAIL / HANDLE FORK SHAFT
22	32512001	C1810	REAR WHEEL
23	163110--	C1810	WASHER
24	162143--	C1810	REAR WHEEL BEARING
25	38522036	C1810	REAR WHEEL9
26	51353002	C1810	HOOD / NOZZLE COVER NAME PLATE
27	36231154	C1810	FURNITURE GUARD - SHORT
29	21447215	C1810	SCREW - SELF TAPPING
30	35121001	C1810	ACCESS DOOR
31	21447003	C1810	SCREW
32	36436005	C1810	HEIGHT ADJUSTMENT CAP
33	38381005	C1810	SPRING
34	21312754	C1810	WASHER
35	38522034	C1810	FRONT WHEEL
36	48416036	C1810	AGITATOR COMPLETE
37	34122019	C1810	BOTTOM PLATE / NOZZLE GUARD



CONQUEST™



PART LISTING

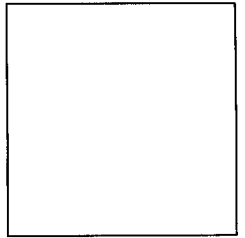
MODEL No.

C1810

ITEM	PART NUMBER	MODELS TO FIT	PART DESCRIPTION
38	32543005	C1810	FRONT AXLE
39	38528013	C1810	V BELT
40	36231061	C1810	FURNITURE GUARD - LONG
	41211006	C1810	FURNITURE GUARD - LONG
41	37241115	C1810	MAIN BODY / NOZZLE BASE
42	34141005	C1810	MOTOR CUSHION
	34132019	C1810	MOTOR CUSHION
43	41119008	C1810	CAP LOCK ASSEMBLY
44	34253013	C1810	AIR DUCT GASKET
45	38657020	C1810	AIR DUCT
	37257086	C1810	AIR INTAKE DUCT
46	31534001	C1810	SHAFT PULLEY ARM
47	37245064	C1810	BOTTOM PLATE / NOZZLE GUARD
48	36321006	C1810	MOTOR SUPPORT BRACKET
49	21852158	C1810	NUT
50	43256007	C1810	PULLEY ARM AND SHAFT
51	31158008	C1810	BEARING
52	43256002	C1810	PULLEY ASSEMBLY
53	38528036	C1810	BELT
54	017001FW	C1810	SCREW
55	32724010	C1810	SANDWICH MOUNT
56	21652005	C1810	HEX NUT
57	43574106	C1810	MOTOR - 6.5
58	21765140	C1810	SCREW
59	34797008	C1810	CLAMP BAND
60	38671008	C1810	EXHAUST FLANGE BELLOW
61	162961--	C1810	INSULATING POD
62	163055--	C1810	TERMINAL
63	015854EF	C1810	NUT
64	38671005	C1810	DUCT BOOT
65	32215002	C1810	SHAFT
66	35214009	C1810	FOOT LEVER SUPPORT
67	37257282	C1810	CAP
68	27478611	C1810	STRAIN RELIEF
69	38335008	C1810	SPRING
70	38426030	C1810	FOOT PAD



CONQUEST™



PART LISTING

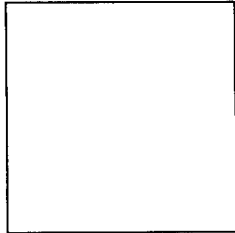
MODEL No.

C1810

ITEM	PART NUMBER	MODELS TO FIT	PART DESCRIPTION	
71	43151006	C1810	HANDLE LEVER	
72	27479307	C1810	CABLE TIE	
73	28212009	C1810	SWITCH	
74	36171030	C1810	SWITCH CLAMP	
75	38426047	C1810	SWITCH PEDAL	
76	36222021	C1810	WEAR STRIP - RIGHT	
77	21364102	C1810	SPEED NUT	
78	31164004	C1810	MOTOR CUSHION	
79	37252031	C1810	HOOD / NOZZLE COVER	
80	36321002	C1810	MOUNTING BRACKET	
81	38783005	C1810	INTAKE DUCT GASKET	



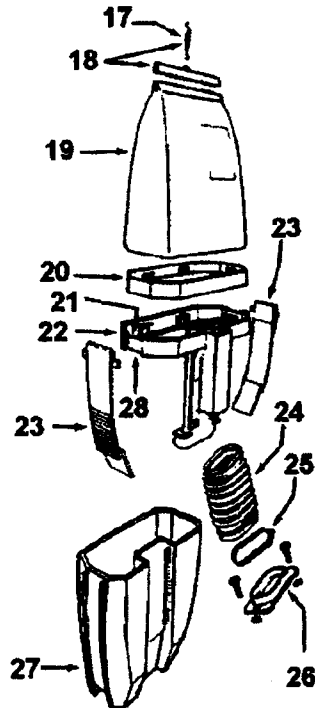
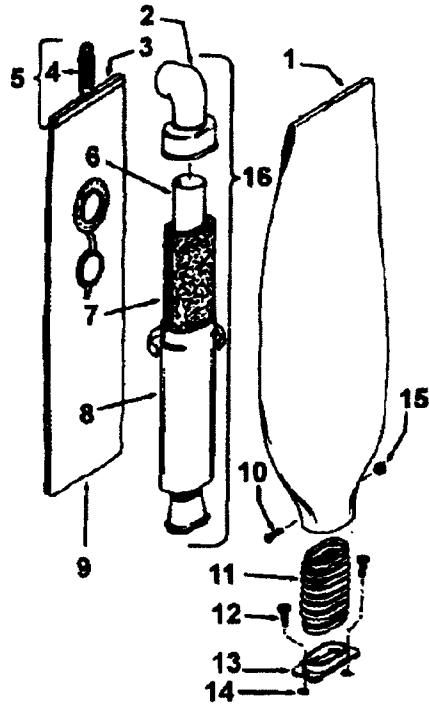
CONQUEST™



ASSEMBLY SCHEMATIC-28

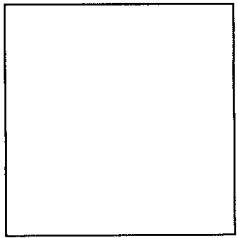
MODEL No.

C1810





CONQUEST™



PART LISTING

MODEL No.

C1810

ITEM	PART NUMBER	MODELS TO FIT	PART DESCRIPTION
1	43674055	C1810	OUTER BAG ASSEMBLY
2	38657012	C1810	TOP FILL TUBE
3	36425033	C1810	BAG CLOSURE CLIP
4	38336019	C1810	BAG CLOSURE CLIP SPRING
5	41128016	C1810	BAG SPRING AND CLIP ASSEMBLY
6	31746020	C1810	MUFFLER LINER
7	34133005	C1810	FOAM MUFFLER
8	37257083	C1810	MUFFLER HOUSING
9	43667037	C1810	INNER BAG ASSEMBLY
	43667054	C1810	INNER CLOTH BAG ASSEMBLY
	4010100A	C1810	ALLERGEN PAPER BAG - 3 PACK
10	017206--	C1810	SCREW
11	38673010	C1810	BELLOWS
12	36112002	C1810	SCREW
13	36425005	C1810	BAG FLANGE
14	013759--	C1810	LOCK RING
15	015854EF	C1810	NUT
16	42256012	C1810	MUFFLER ASSEMBLY
17	38336019	C1810	BAG CLOSURE CLIP SPRING
18	41128016	C1810	BAG SPRING / CLIP ASSEMBLY
19	43667056	C1810	CLOTH BAG
20	35173001	C1810	BAG EXPANDER
21	34122009	C1810	SEAL
22	41427012	C1810	CUP SUPPORT
23	36155011	C1810	LATCH
24	38673001	C1810	BELLOWS
25	015854EF	C1810	NET
	017206--	C1810	SCREW
	049044--	C1810	CLAMP BAND
26	41424018	C1810	BAG FLANGE
27	38775001	C1810	DIRT CUP
28	34123020	C1810	GASKET
	43678060	C1810	OUT BAG COMPLETE
	48642015	C1810	DIRT CUP ASSEMBLY KIT
	43667056	C1810	CLOTH BAG
	4010001A	C1810	TOP FILL PAPER BAG - 3 PACK

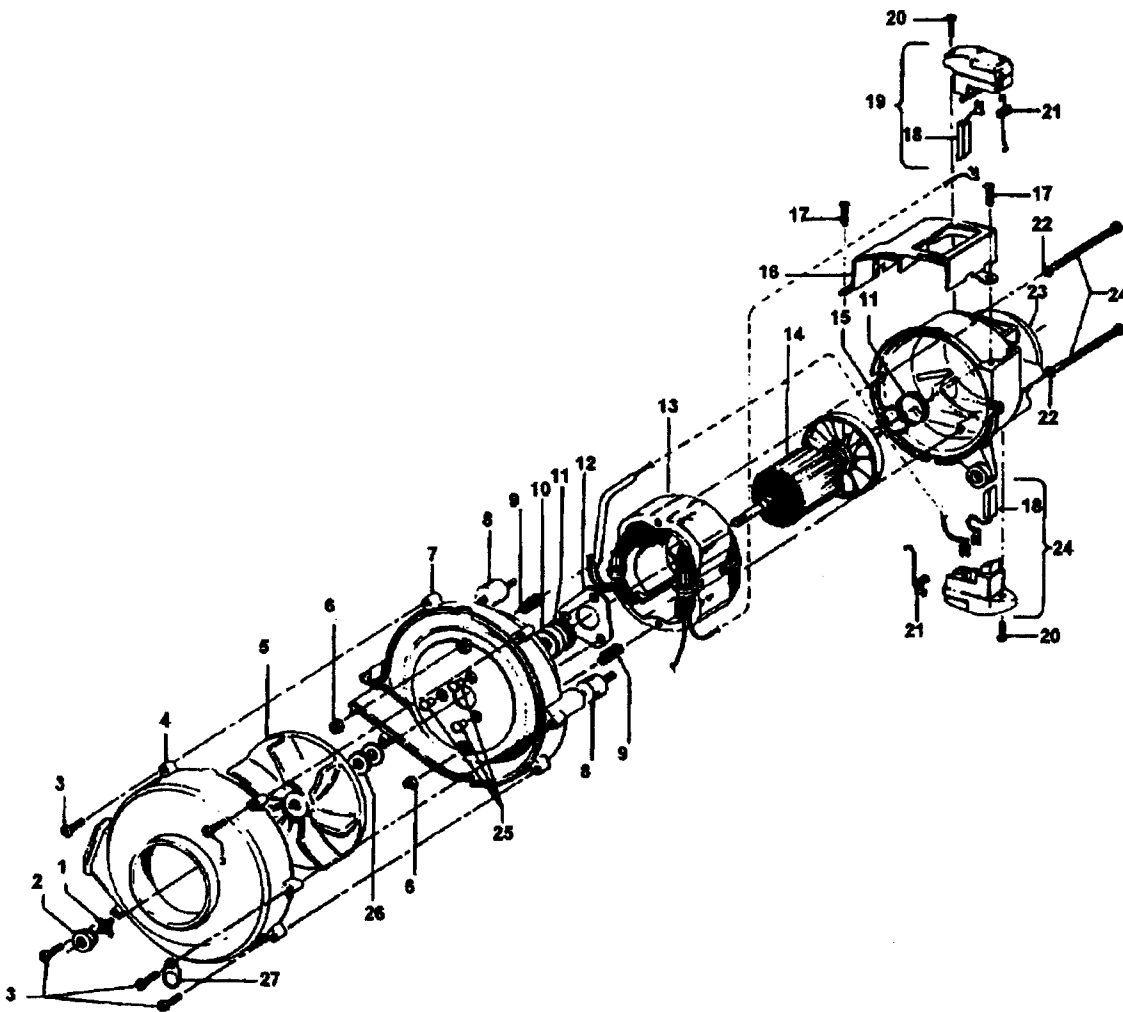


CONQUEST™

ASSEMBLY SCHEMATIC

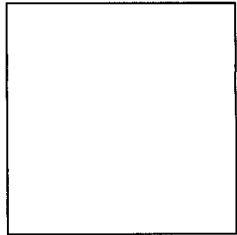
MODEL No.

C1810





CONQUEST™



PART LISTING

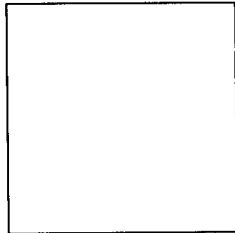
MODEL No.

C1810

ITEM	PART NUMBER	MODELS TO FIT	PART DESCRIPTION
1	36128003	C1810	LOCK WASHER
2	33426001	C1810	NUT
3	21447072	C1810	SCREW
4	38736025	C1810	FAN CHAMBER COVER
5	38755012	C1810	FAN
6	21641557	C1810	NUT
7	43588018	C1810	FAN CHAMBER ASSEMBLY
8	32724015	C1810	SANDWICH MOUNT
9	012854--	C1810	SPRING
10	24152807	C1810	MOTOR BEARING - 8MM
11	24198001	C1810	STAR RING
12	012025--	C1810	MOTOR BEARING RETAINER
13	90001007	C1810	FIELD COIL - 6.5
14	44765184	C1810	ARMATURE - 5.2
	44765187	C1810	ARMATURE
15	21345115	C1810	WAVE SPRING WASHER
16	37257086	C1810	AIR INTAKE DUCT
17	21447041	C1810	SCREW
18	47315010	C1810	BRUSH AND TERMINAL ASSEMBLY
19	47318008	C1810	BRUSH CARRIER
20	21479302	C1810	SCREW
21	38353004	C1810	SPRING
22	21338006	C1810	LOCK WASHER
23	37191090	C1810	MOTOR HOUSING
24	21563061	C1810	SCREW
25	012503EF	C1810	RIVET
26	166563--	C1810	WASHER
27	045517--	C1810	WIRE HOLDER



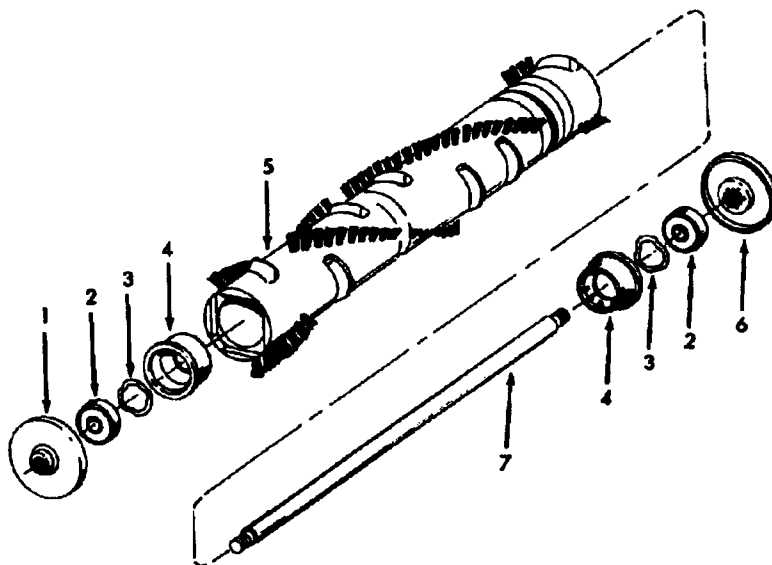
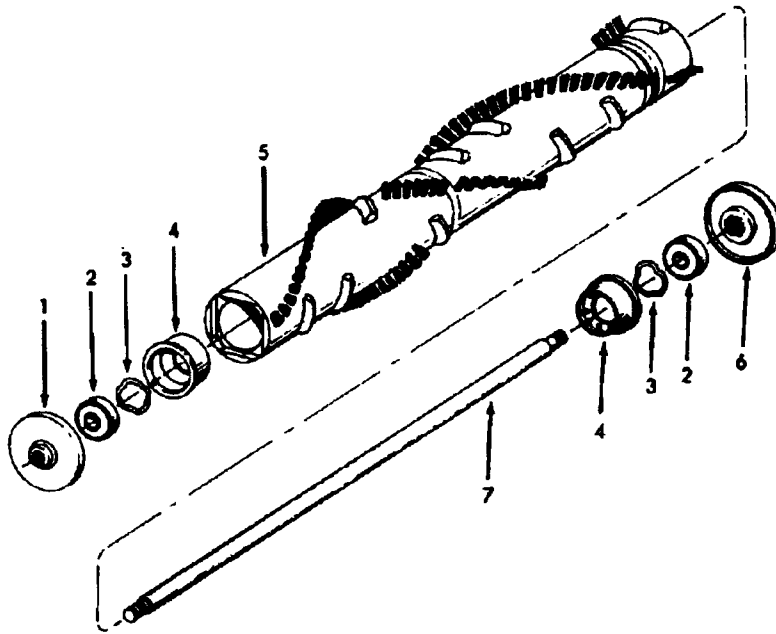
CONQUEST™



ASSEMBLY SCHEMATIC

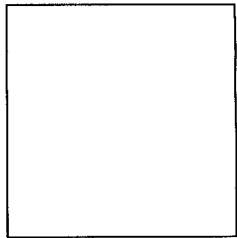
MODEL NO.

C1810





CONQUEST™



PART LISTING

MODEL No.

C1810

ITEM	PART NUMBER	MODELS TO FIT	PART DESCRIPTION	
1	41435066	C1810	THREAD GUARD ASSEMBLY	
2	24152807	C1810	MOTOR BEARING - 8MM	
3	21345113	C1810	WAVE SPRING WASHER	
4	36422004	C1810	AGITATOR END	
5	48416013	C1810	AGITATOR BODY AND ENDS - 14"	
	48416017	C1810	AGITATOR BODY AND ENDS - 18"	
6	41435061	C1810	THREAD GUARD ASSEMBLY	
7	32873004	C1810	AGITATOR SHAFT - 18"	
	32873007	C1810	AGITATOR SHAFT - 14"	
	48416035	C1810	AGITATOR COMPLETE - 14"	
	48416036	C1810	AGITATOR COMPLETE - 18"	