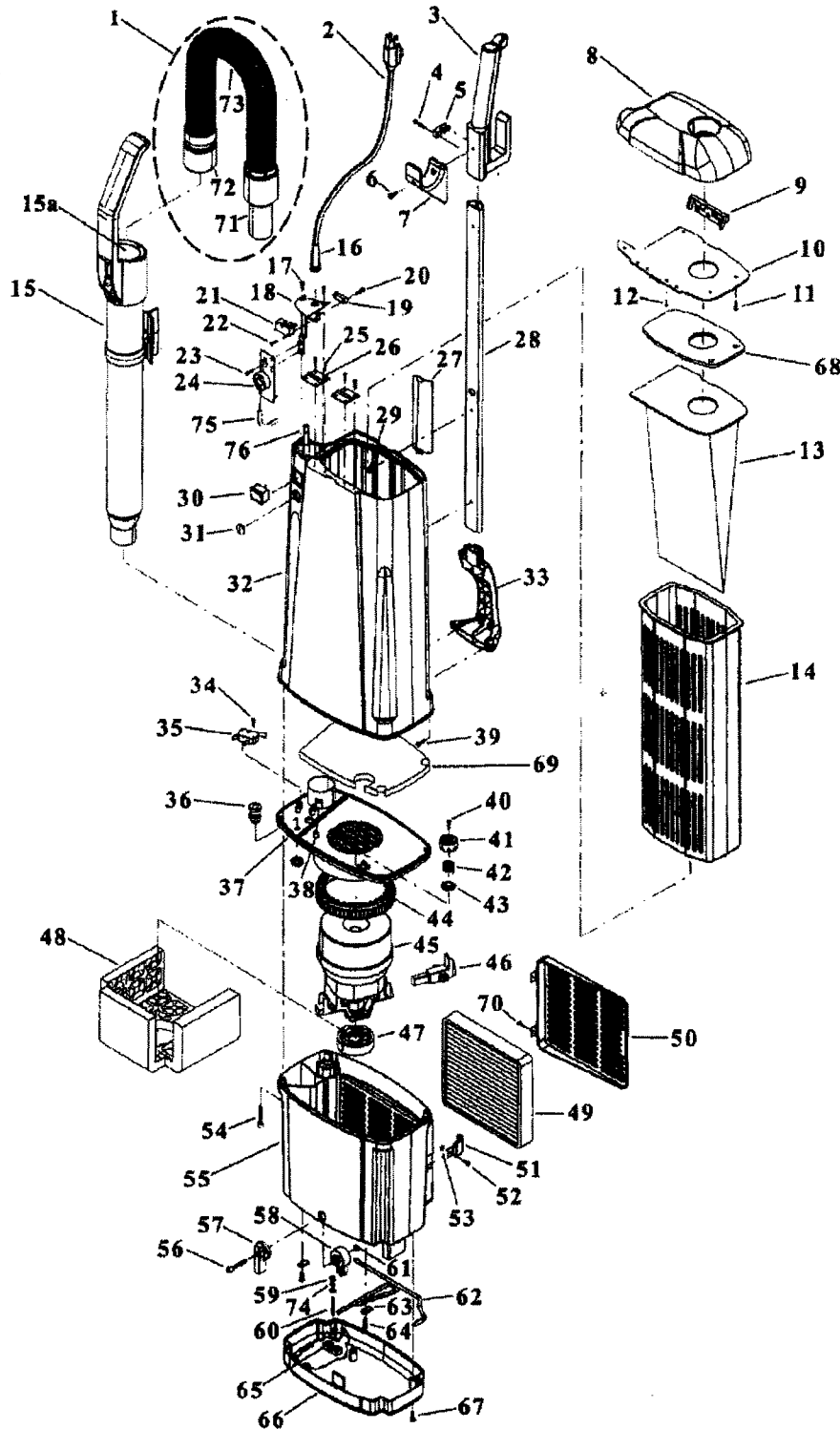




Dubl-Duty 2 MOTOR SYSTEM

ASSEMBLY SCHEMATIC



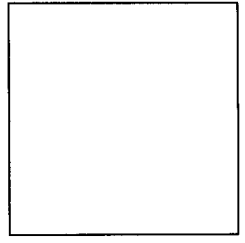
MODEL NO.

C1830

C1834



Dubl-Duty 2 MOTOR SYSTEM



PART LISTING

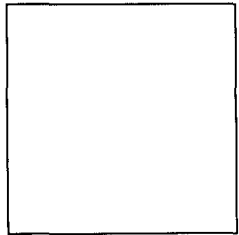
MODEL No.

C1830
C1834

ITEM	PART NUMBER	MODELS TO FIT	PART DESCRIPTION
1	59151061	C1830, C1834	HOSE ASSEMBLY
2	59151062	C1830, C1834	ELECTRIC CABLE
3	59151063	C1830, C1834	HANDLE GRIP
4	59151064	C1830, C1834	SCREW - 3 x 20
5	59151065	C1830, C1834	CABLE CLAMP
6	59151066	C1830, C1834	SCREW - 4 x 12
7	59151067	C1830, C1834	SUCTION HOSE SUPPORT
8	59151068	C1830, C1834	TOP COVER
9	59151069	C1830, C1834	BODY COVER SPRING
10	59151070	C1830, C1834	BODY COVER PLATE
11	59151071	C1830, C1834	SCREW - SELF THREADING 5 x 16
12	59151072	C1830, C1834	SCREW - SELF THREADING 9 x 13
13	59151073	C1830, C1834	PAPER BAG - 10 PACK
14	59151074	C1830, C1834	PAPER BAG CAGE
15	59151075	C1830, C1834	WAND ASSEMBLY
	59151076	C1830, C1834	INNER WAND TUBE
16	59151077	C1830, C1834	CABLE RETAINER
17	59151078	C1830, C1834	SCREW - SELF THREADING 5 x 13
18	59151079	C1830, C1834	SUPPORT PLATE
19	59151080	C1830, C1834	CABLE HOLDER
20	59151072	C1830, C1834	SCREW - SELF THREADING 9 x 13
21	59151082	C1830, C1834	MICROSWITCH
22	59151083	C1830, C1834	SCREW - SELF THREADING 9 x 16
23	59151084	C1830, C1834	SCREW - SELF THREADING 9 x 9
24	59151085	C1830, C1834	BAG CONTROL CARD
25	59151072	C1830, C1834	SCREW - SELF THREADING 9 x 13
26	59151087	C1830, C1834	HINGE - COVER
27	59151088	C1830, C1834	COVER
28	59151089	C1830, C1834	HANDLE TUBE
29	59151090	C1830, C1834	SCREW - 4 x 10
30	59151091	C1830, C1834	SWITCH
31	59151092	C1830, C1834	LENS
32	59151093	C1830, C1834	CENTER BODY HOUSING
33	59151094	C1830, C1834	LIFTING HANDLE
34	59151072	C1830, C1834	SCREW - SELF THREADING 9 x 13
35	59151082	C1830, C1834	MICROSWITCH



Dubl-Duty 2 MOTOR SYSTEM



PART LISTING

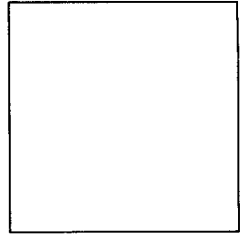
MODEL NO.

C1830
C1834

ITEM	PART NUMBER	MODELS TO FIT	PART DESCRIPTION
36	59150197	C1830, C1834	CABLE RETAINER
37	59151098	C1830, C1834	MOTOR HOLDER
38	59151099	C1830, C1834	MICROSWITCH
39	59151100	C1830, C1834	SCREW - SELF THREADING 5 x 16
40	59151072	C1830, C1834	SCREW - SELF THREADING 9 x 13
41	59151102	C1830, C1834	SAFETY VALVE COVER
42	59151103	C1830, C1834	SAFETY VALVE COVER SPRING
43	59151104	C1830, C1834	SAFETY VALVE
44	59151105	C1830, C1834	MOTOR GASKET
45	59151107	C1830, C1834	MOTOR ASSEMBLY
46	59151109	C1830, C1834	CARBON BRUSH
47	59151110	C1830, C1834	RUBBER GASKET
48	59151111	C1830, C1834	SOUND INSULATION
49	59151112	C1830, C1834	HELPA FILTER
	59151113	C1830, C1834	FOAM FILTER
50	59151114	C1830, C1834	FILTER COVER
51	59151115	C1830, C1834	FILTER RETAINING CLAMP
52	59151116	C1830, C1834	SCREW - 3 x 10
53	59151117	C1830, C1834	NUT - M3
54	59151118	C1830, C1834	SCREW - 5 x 30
55	59151119	C1830, C1834	MOTOR HOUSING
56	59151118	C1830, C1834	SCREW - 5 x 30
57	59151121	C1830, C1834	LOCKING CATCH KNOB
58	59151122	C1830, C1834	LOCING CATCH
59	59151123	C1830, C1834	NUT - M4
60	59151124	C1830, C1834	STATIC GROUND PIN
61	59151125	C1830, C1834	NUT - SELF LOCKING M5
62	59151126	C1830, C1834	LOCKING ROD
63	59151036	C1830, C1834	LATCH
64	59151128	C1830, C1834	SCREW - SELF THREADING 5 x 13
65	59151129	C1830, C1834	CONNECTION PROTECTION
66	59151130	C1830, C1834	MOTOR COVER
67	59151071	C1830, C1834	SCREW - SELF THREADING 5 x 16
68	59151132	C1830, C1834	GASKET
69	59151133	C1830, C1834	INLET FILTER
70	93002128	C1830, C1834	SCREW - SELF TAPPING



Dubl-Duty 2 MOTOR SYSTEM



PART LISTING

ITEM	PART NUMBER	MODELS TO FIT	PART DESCRIPTION	
71	59151135	C1830, C1834	HOSE ROTATING SLEEVE	
72	59151136	C1830, C1834	FLEXIBLE HOSE UNION	
73	59151137	C1830, C1834	FEXIBLE HOSE	
74	59151138	C1830, C1834	WASHER	
75	59151139	C1830, C1834	BAG CONTROL CONNECTOR	
76	59151140	C1830, C1834	RUBBER POST	

MODEL NO.

C1830

C1834

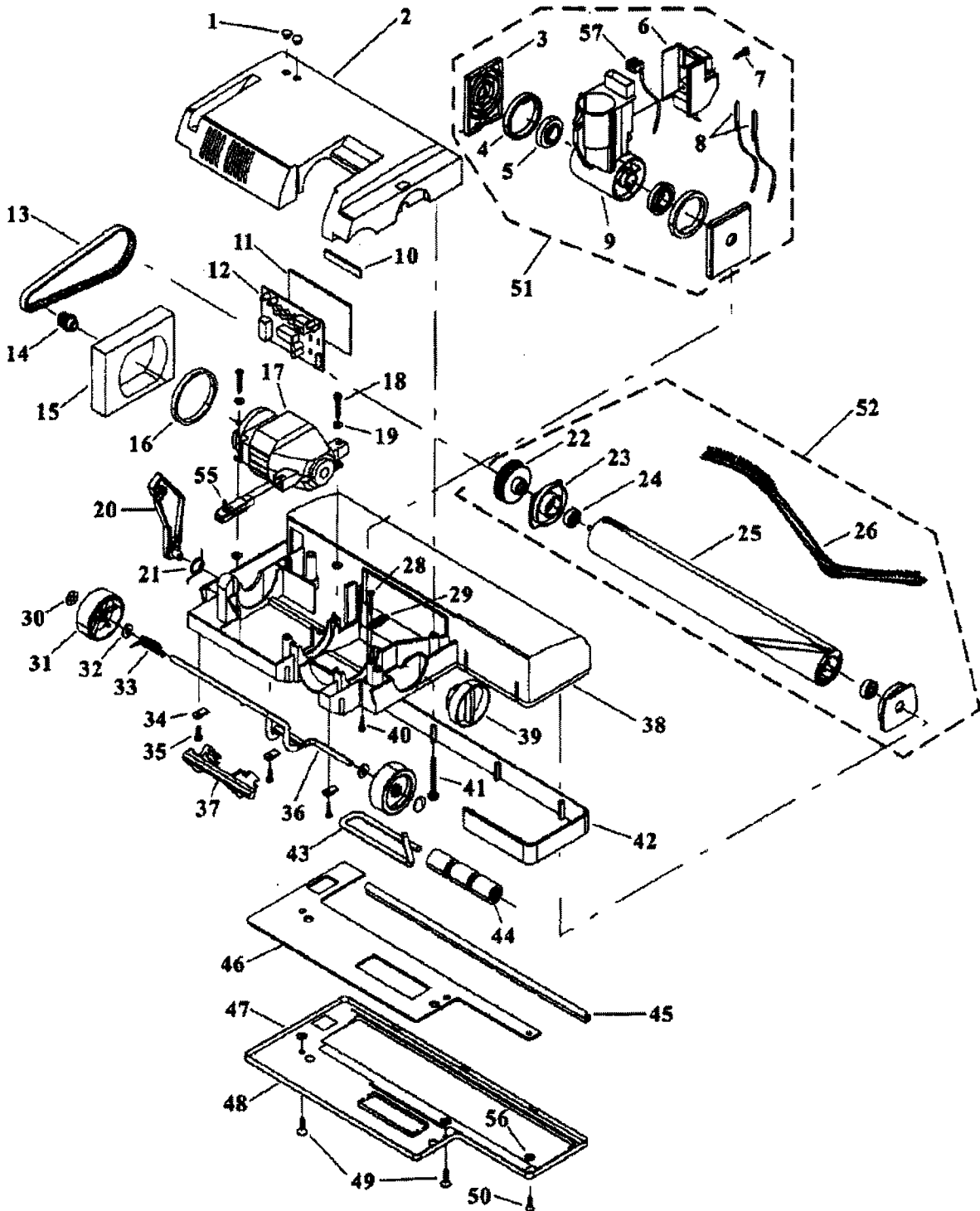


Dubl-Duty 2 MOTOR SYSTEM

ASSEMBLY SCHEMATIC

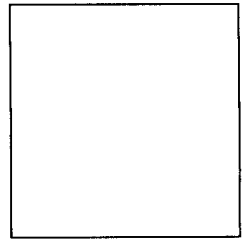
MODEL NO.

C1830
C1834





Dubl-Duty 2 MOTOR SYSTEM



PART LISTING

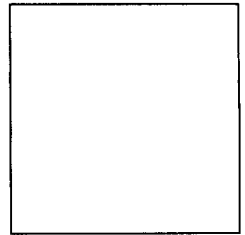
MODEL NO.

C1830
C1834

ITEM	PART NUMBER	MODELS TO FIT	PART DESCRIPTION
1	59151001	C1830, C1834	LENS
2	59151002	C1830, C1834	HOOD / NOZZLE COVER
3		C1830, C1834	ORDER #51 - SEAL
4		C1830, C1834	ORDER #51 - GASKET
5		C1830, C1834	ORDER #51 - SEAL
6		C1830, C1834	ORDER #51 - COVER
7		C1830, C1834	ORDER #51 - SCREW
8		C1830, C1834	ORDER #51 - SPRING
9		C1830, C1834	ORDER #51 - PIVOT
10	59151010	C1830, C1834	FELT SEAL
11	59151011	C1830, C1834	ELECTRONIC CARD PROTECTION
12	59151012	C1830, C1834	ELECTRONIC CARD
13	59151013	C1830, C1834	BELT
14	59151014	C1830, C1834	PULLEY
15	59151015	C1830, C1834	FILTER
16	59151016	C1830, C1834	GASKET
17	59151017	C1830	BRUSH ROLL MOTOR
	59151018	C1834	BRUSH ROLL MOTOR
18	59151019	C1830, C1834	SCREW - SELF THREADING 9 x 19
19	59151020	C1830, C1834	WASHER - D4
20	59151021	C1830, C1834	SUPPORT LEVER
21	59151022	C1830, C1834	SPRING
22	59151023	C1830, C1834	BRUSH PULLEY
23	59151024	C1830, C1834	BRUSH SUPPORT
24	59151025	C1830, C1834	BEARING
25		C1830, C1834	ORDER #52 - AGITATOR BODY
26	59151028	C1830	BRUSH STRIP
	59151029	C1834	BRUSH STRIP
28	59151030	C1830, C1834	SCREW - SELF THREADING 5 x 25
29	59151031	C1830, C1834	SPRING
30	59151032	C1830, C1834	RETAINER
31	59151033	C1830, C1834	WHEEL
32	59151034	C1830, C1834	WASHER - D6
33	59151035	C1830, C1834	WHEEL AXLE SPRING
34	59151036	C1830, C1834	LATCH
35	59151037	C1830, C1834	SCREW - SELF THREADING 9 x 13



Dubl-Duty 2 MOTOR SYSTEM



PART LISTING

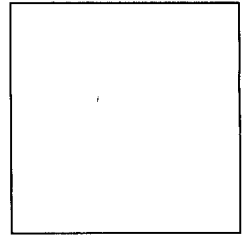
MODEL NO.

C1830
C1834

ITEM	PART NUMBER	MODELS TO FIT	PART DESCRIPTION
36	59151038	C1830, C1834	WHEEL AXLE
37	59151039	C1830, C1834	FOOT PEDAL
38	59151040	C1830	NOZZLE BASE / BRUSH ROLL HOUSING - 14"
	59151041	C1834	NOZZLE BASE / BRUSH ROLL HOUSING - 18"
39	59151042	C1830, C1834	HEIGHT ADJUSTMENT KNOB
40	59151037	C1830, C1834	SCREW - SELF THREADING 9 x 13
41	59151044	C1830, C1834	SCREW - 5 x 45
42	59151045	C1830	BUMPER - 14"
	59151046	C1834	BUMPER - 18"
43	59151047	C1830, C1834	WHEEL AXLE
44	59151048	C1830, C1834	HEIGHT ADJUSTMENT WHEEL
45	59151049	C1830, C1834	GASKET
46	59151050	C1830, C1834	GASKET
47	59151051	C1830, C1834	WASHER
48	59151052	C1830	NOZZLE GUARD - 14"
	59151053	C1834	NOZZLE GUARD - 18"
49	59151054	C1830, C1834	SCREW - 5 x 12
50	59151055	C1830, C1834	SCREW - 4 x 10
51	59151056	C1830, C1834	PIVOT ASSEMBLY
52	59151057	C1830	BRUSH ROLL ASSEMBLY - 14"
	59151144	C1834	BRUSH ROLL ASSEMBLY - 18"
55	59151058	C1830, C1834	CARBON BRUSH
56	59151059	C1830, C1834	WASHER
57	59151060	C1830, C1834	ENCLOSED COVER SPRING



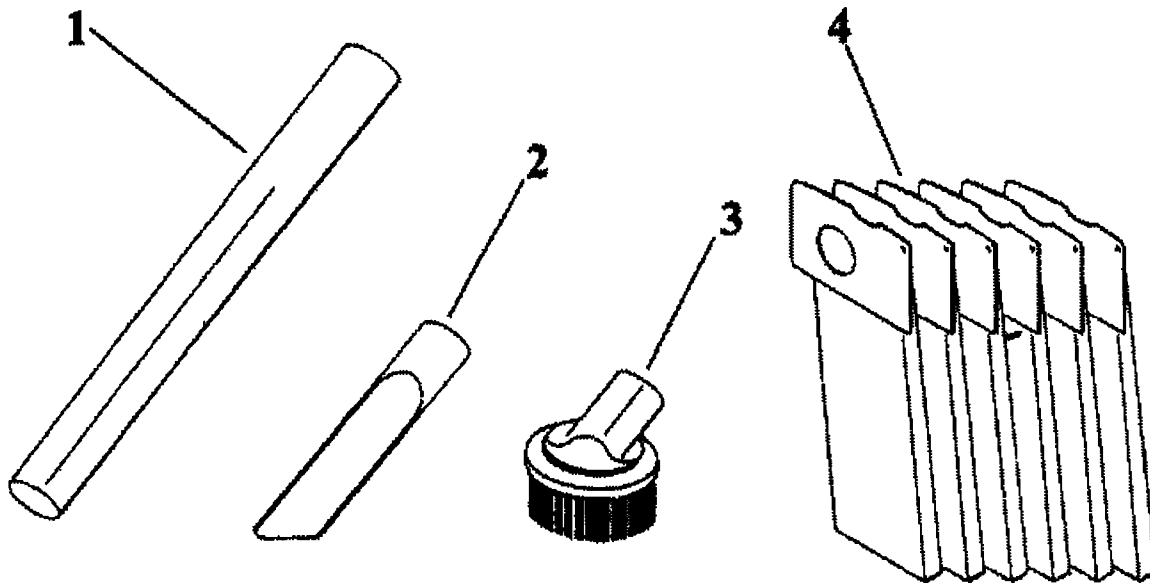
Dubl-Duty 2 MOTOR SYSTEM



ASSEMBLY SCHEMATIC

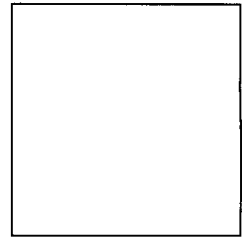
MODEL NO.

C1830
C1834





Dubl-Duty 2 MOTOR SYSTEM



PART LISTING

ITEM	PART NUMBER	MODELS TO FIT	PART DESCRIPTION	
1	59151141	C1830, C1834	EXTENSION TUBE	
2	59151142	C1830, C1834	CREVICE TOOL	
3	59151143	C1830, C1834	DUSTING BRUSH	
4	59151073	C1830, C1834	PAPER BAG - 10 PACK	

MODEL No.

C1830

C1834