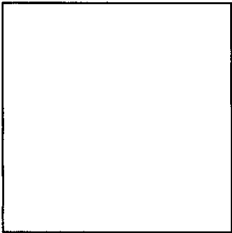




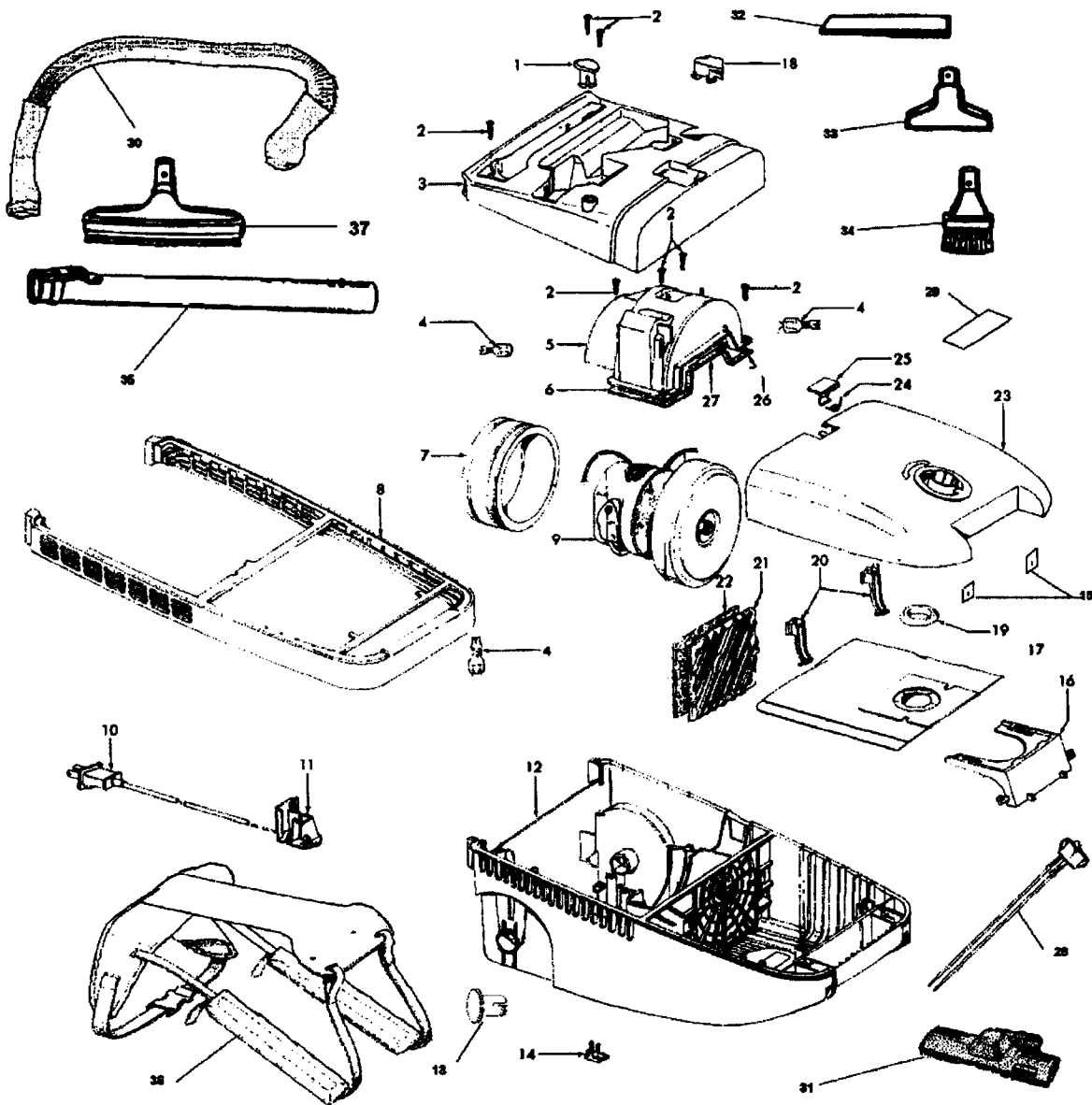
# COMMERCIAL SHOULDER VAC



## ASSEMBLY SCHEMATIC

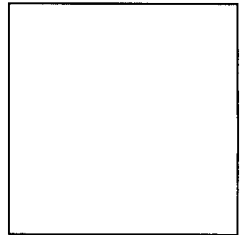
MODEL NO.

C2089





# COMMERCIAL SHOULDER VAC



## PART LISTING

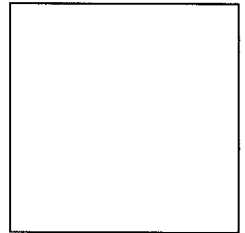
MODEL No.

**C2089**

ITEM	PART NUMBER	MODELS TO FIT	PART DESCRIPTION
1	37911097	C2089	SNAP PLUG
2	21447217	C2089	SCREW - SELF TAPPING
3	41426157	C2089	MOTOR COVER
4	012227--	C2089	TERMINALS
5	41312042	C2089	MOTOR RETAINER
6		C2089	MOTOR RETAINER SEAL- RIGHT
7	36322031	C2089	MOTOR MOUNT
8	36235069	C2089	FURNITURE GUARD
9	43576222	C2089	MOTOR ASSEMBLY COMPLETE
	28382085	C2089	THERMAL PROTECTOR
10	46563019	C2089	POWER CORD
11	36215034	C2089	STRAIN RELIEF
12	42215053	C2089	LOWER MAIN BODY
13	40201256	C2089	HARNESS ATTACHMENT PLUG
14	37258136	C2089	PTO COVER
15	21378159	C2089	SPEED CLIP
16	36424010	C2089	BAG COLLAR SUPPORT
17	43662035	C2089	CLOTH BAG ASSEMBLY - REUSABLE
	4010064S	C2089	TYPE S PAPER BAG - 3 PACK
	4010100S	C2089	TYPE S ALLERGEN PAPER BAG - 3 PACK
	4010344S	C2089	TYPE S PAPER BAG - 10 PACK
18	37911098	C2089	SNAP COVER
19	36424012	C2089	BAG COLLAR SEAL
20	36151027	C2089	BAG LID HINGE
21	37944005	C2089	FILTER RETAINER
22	38765009	C2089	SECONDARY FILTER
23	42217195	C2089	BAG LID ASSEMBLY
24	38351009	C2089	TORSION SPRING
25	36153040	C2089	BAG LID LATCH
26	34633002	C2089	RETAINER SEAL - LEFT
27	34123040	C2089	RETAINER SEAL - CENTER
28	28161070	C2089	SWITCH WITH LEADS
29	52125152	C2089	BAG LID LABEL
30	43434270	C2089	HOSE ASSEMBLY
31	4341401P	C2089	RUG / FLOOR NOZZLE
32	38617017	C2089	CREVICE TOOL



# COMMERCIAL SHOULDER VAC



## PART LISTING

MODEL No.

C2089

ITEM	PART NUMBER	MODELS TO FIT	PART DESCRIPTION	
33	43414057	C2089	FURNITURE NOZZLE	
34	43414064	C2089	DUSTING BRUSH	
35	43453027	C2089	EXTENSION TUBE ASSEMBLY	
36	48615023	C2089	HARNESS ASSEMBLY	
	40201257	C2089	HARNESS HARDWARE PACK	
	40201256	C2089	HARNESS ATTACHMENT PLUG	
37	43414073	C2089	FLOOR BRUSH	