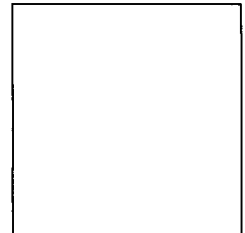




BAGGED RESIDENTIAL LIGHTWEIGHT UPRIGHT / CLEAN AND LIGHT

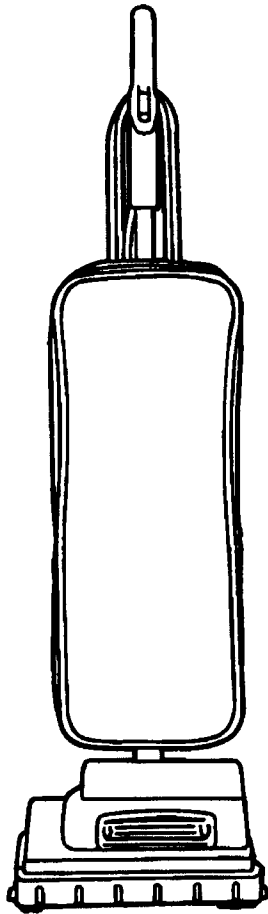


SECTION CONTENTS

MODEL No.
U4707

MODEL No.

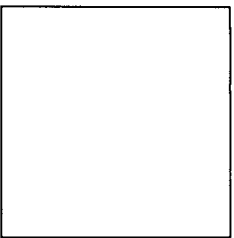
U4707



- * PRICING, SPECIFICATION'S, AND PRODUCT AVAILABILITY ARE SUBJECT TO CHANGE WITHOUT NOTICE. PRICING IS FOB FACTORY, CANTON, OH
- * ALL INFORMATION CONTAINED WITHIN THIS SERVICE MANUAL IS PROPRIETARY INFORMATION OF TTI FLOOR CARE NORTH AMERICA.
- * **WARNING:** TO REDUCE THE RISK OF ELECTRICAL SHOCK OR INJURY, ALWAYS DISCONNECT THE APPLIANCE CORD FROM THE ELECTRICAL OUTLET PRIOR TO SERVICING THE UNIT.



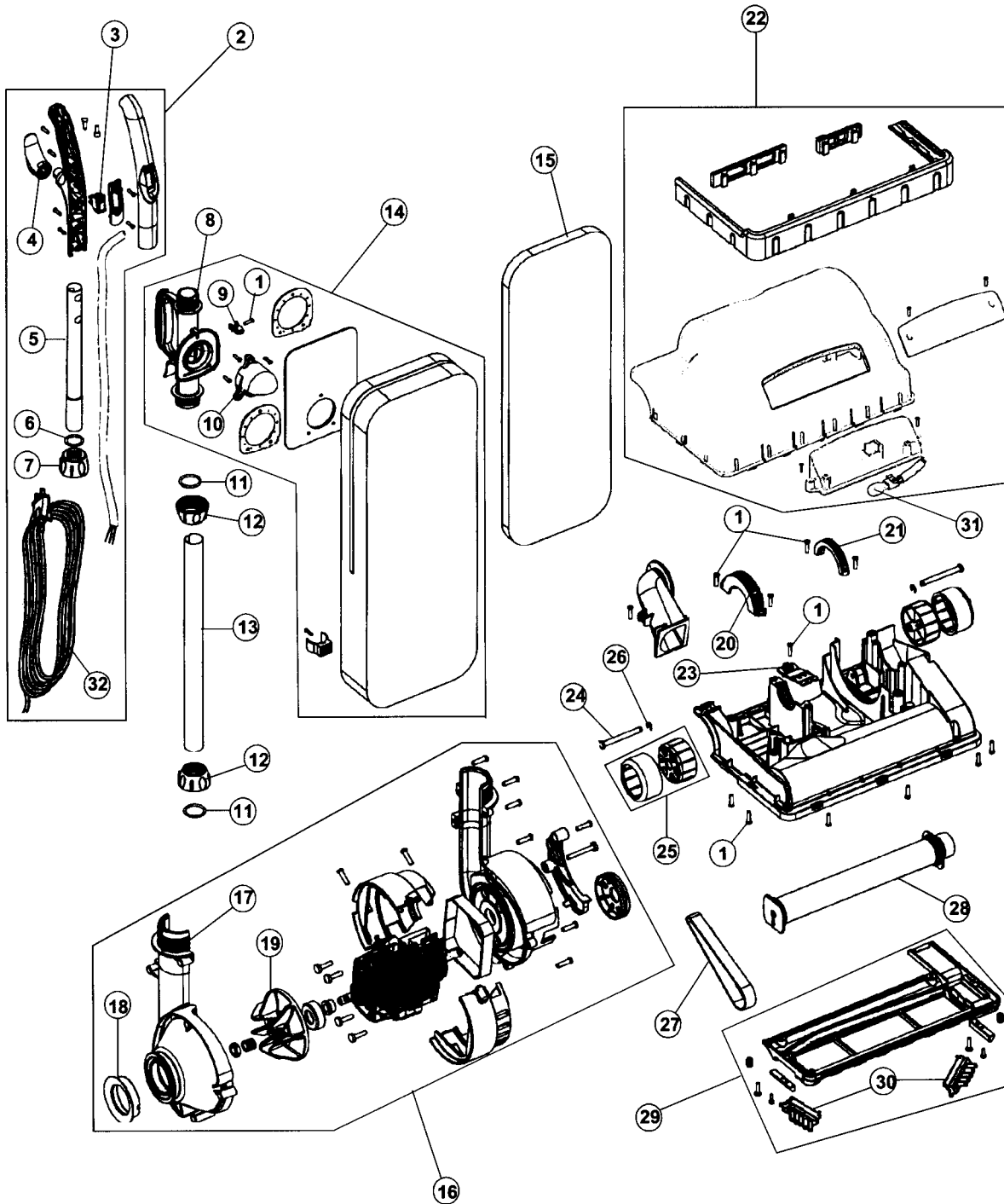
BAGGED RESIDENTIAL LIGHTWEIGHT UPRIGHT / CLEAN AND LIGHT



ASSEMBLY SCHEMATIC

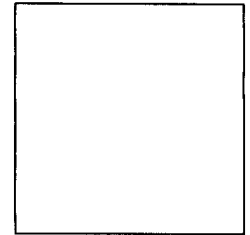
MODEL NO.

U4707





BAGGED RESIDENTIAL LIGHTWEIGHT UPRIGHT / CLEAN AND LIGHT



PART LISTING

MODEL No.

U4707

ITEM	PART NUMBER	MODELS TO FIT	PART DESCRIPTION
1	1503819000	U4707	BODY SCREW
2	93004750	U4707	UPPER HANDLE ASSEMBLY
3	1JR0010000	U4707	SWITCH
4	1JR0012000	U4707	CORD HOOK
5	1JR0018000	U4707	UPPER HANDLE TUBE
6	1JR0027000	U4707	HANDLE O-RING GASKET - SMALL ROUND
7	1JR0026000	U4707	UPPER HANDLE COLLAR
8	1JR0028000	U4707	CARRYING HANDLE TUBE GRIP
9	1JR0029000	U4707	CORD CLIP
10	1JR0035000	U4707	DIRT INLET
11	1RYV650000	U4707	HANDLE O-RING GASKET - V SHAPE
12	1JR0025000	U4707	LOWER HANDLE COLLAR
13	1JR0023000	U4707	LOWER HANDLE TUBE
14	93004750	U4707	CLOTH BAG ASSEMBLY - HEPA
15	4010102B	U4707	TYPE B BAG - ALLERGEN
16	2JR0016000	U4707	COMPLETE MOTOR ASSEMBLY
17	1JR0015000	U4707	MOTOR FAN COVER
18	1JR0014000	U4707	FAN COVER SEAL
19	1JR0013000	U4707	FAN
20	1JR0031000	U4707	LEFT CLAMP
21	1JR0030000	U4707	RIGHT CLAMP
22	93004760	U4707	NOZZLE COVER WITH BUMPERS
23	1JR0022000	U4707	HANDLE STOPPER
24	1JR0021000	U4707	WHEEL PIN
25	1JR0019000	U4707	WHEEL ASSEMBLY
26	1JR0020000	U4707	WHEEL E-CLIP
27	40201318	U4707	STYLE 18 BELT
28	2JR0010000	U4707	BRUSH ROLL ASSEMBLY
29	1JR0032000	U4707	NOZZLE GUARD ASSEMBLY
30	1JR0033000	U4707	EDGE CLEANER ASSEMBLY
31	1920906000	U4707	BULB #906
32	1LV1101000	U4707	POWER CORD